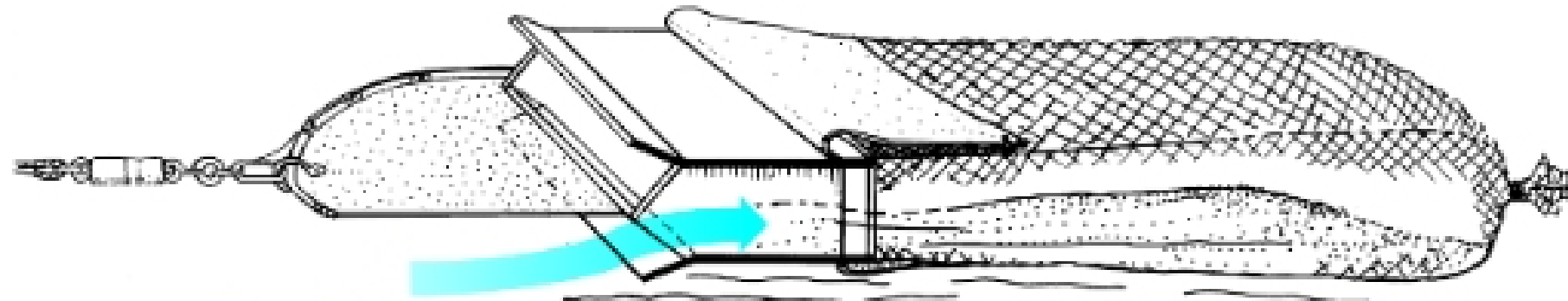


16 *From the Continental Shelf
to the Deep Sea*

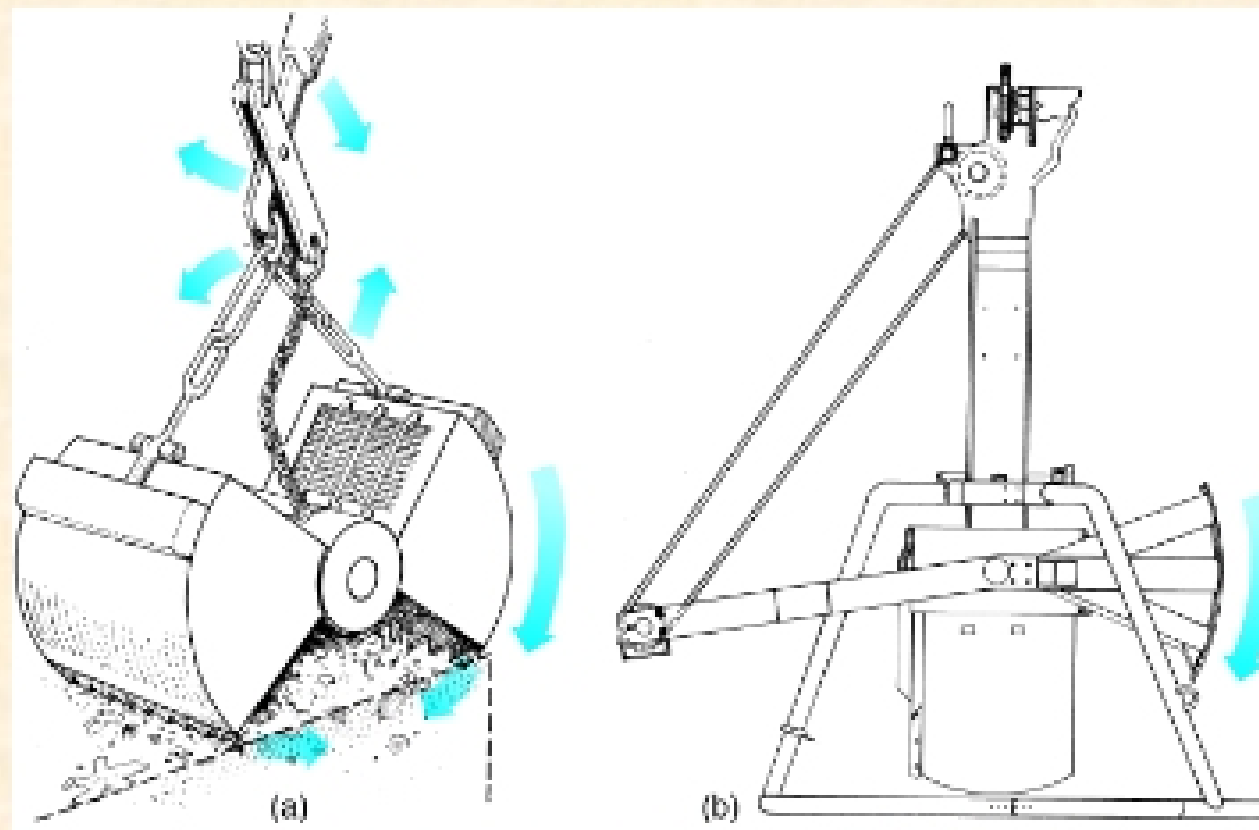
**Notes for Marine Biology:
Function, Biodiversity, Ecology**

By Jeffrey S. Levinton

SAMPLING AND OBSERVING THE SEA BED

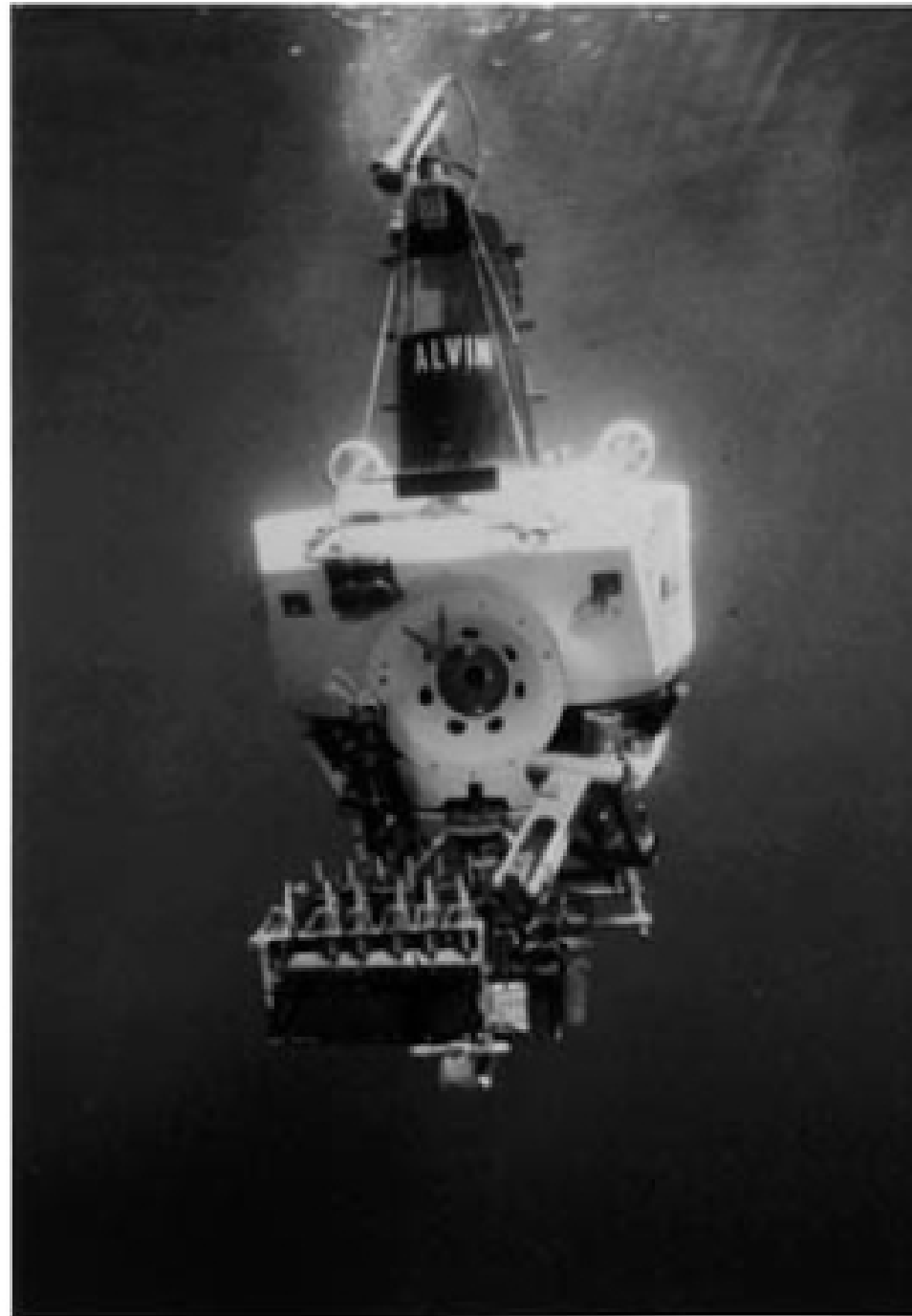


Anchor dredge: digs to a specified depth



**Peterson
Grab**

**Box
Corer**



Alvin from WHOI