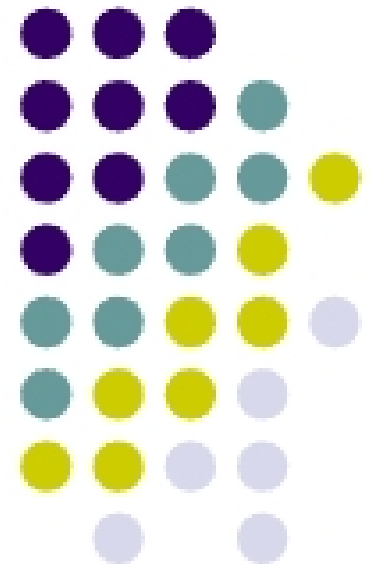


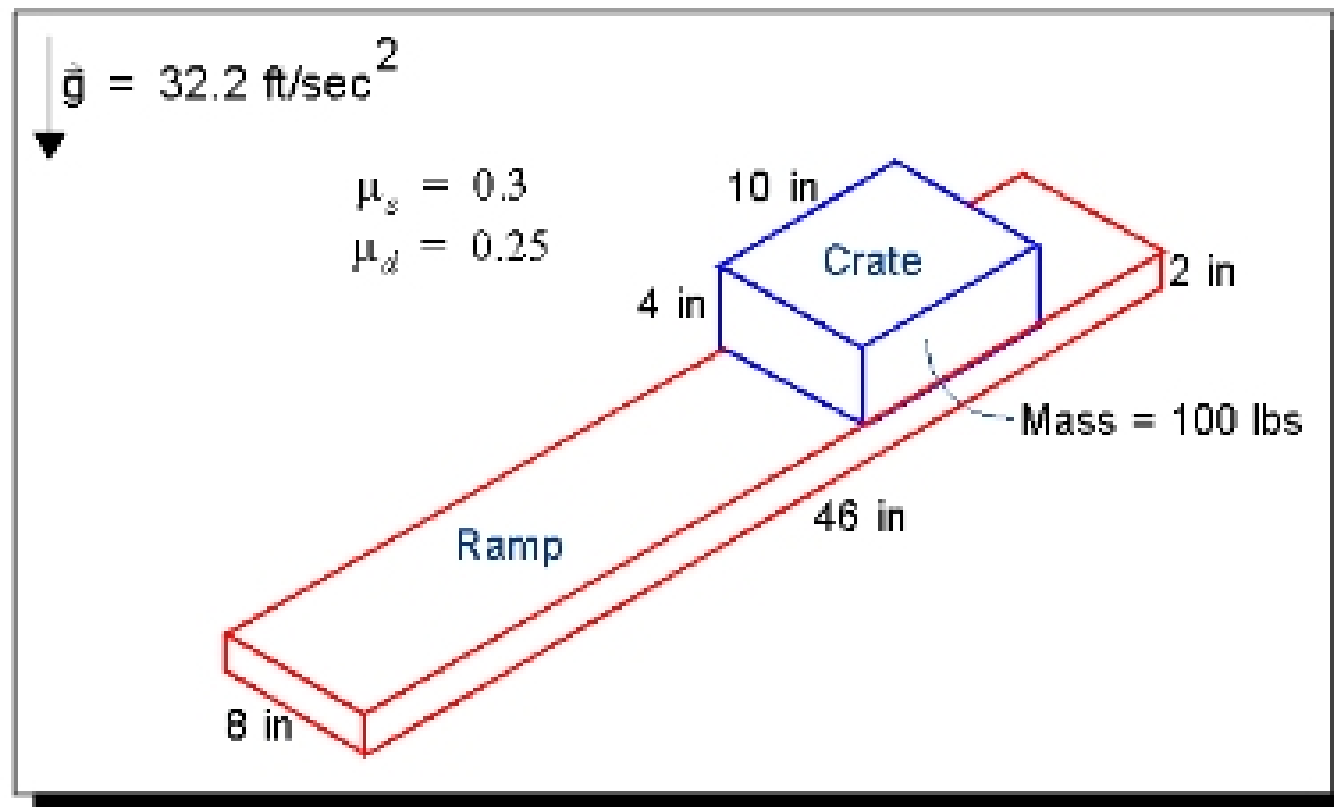
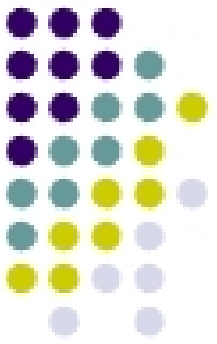
# ADAMS Assignment 6

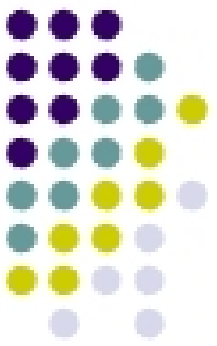
---

ME451: Kinematics and Dynamics of  
Machine Systems  
(Spring 09)



# INCLINED PLANE





# Problem Statement

- Find the minimum inclination that will ensure that a crate slides off an inclined plane, using the properties shown next:

