

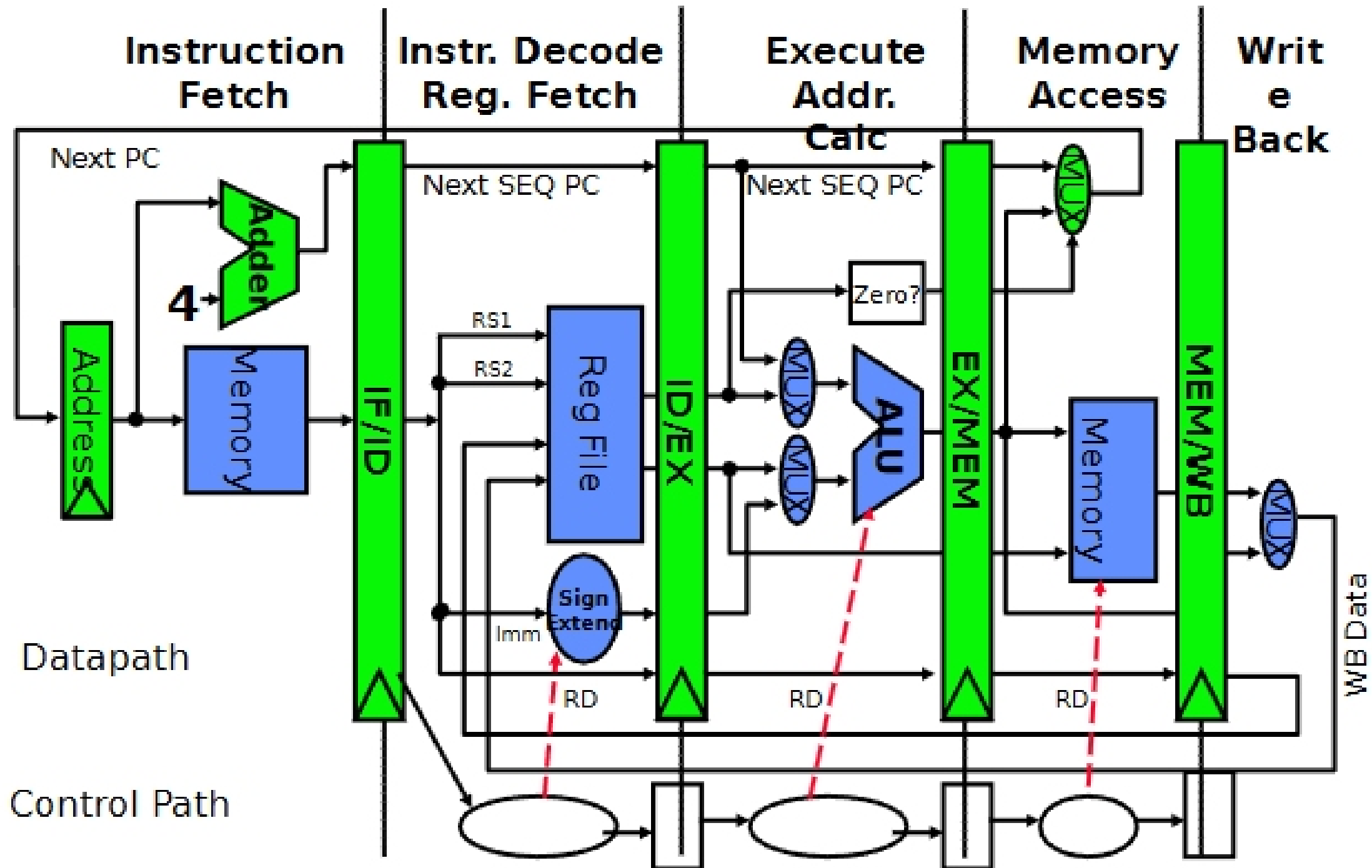
CS252
Graduate Computer Architecture
Lecture 2

Pipelining, Caching, and Benchmarks

January 24, 2002
Prof. David E Culler
Computer Science 252
Spring 2002

©University of California, Berkeley

5 Steps of MIPS Datapath



5 Steps of MIPS Datapath

