

LOFAR on BlueGene/L

Bruce Elmegreen

IBM Watson Research Center

914 945 2448

bge@watson.ibm.com

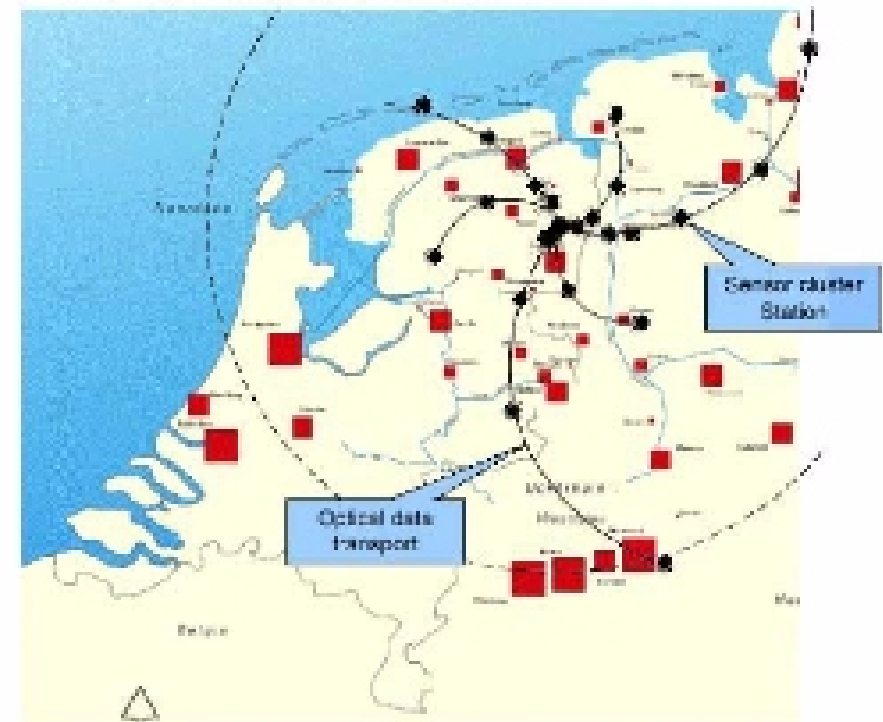
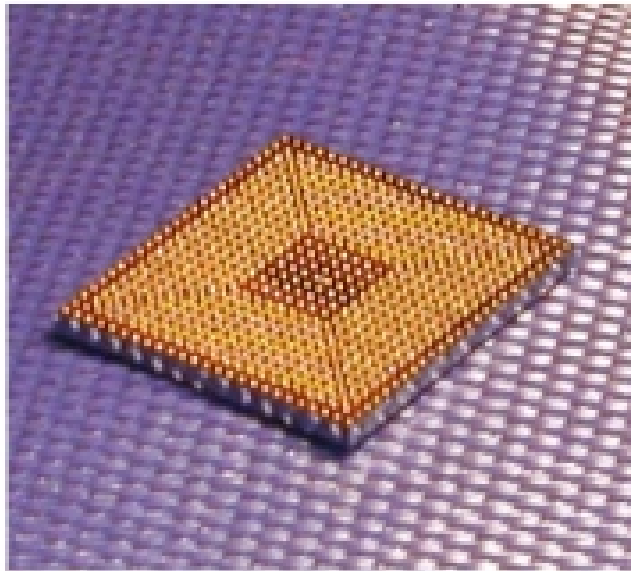
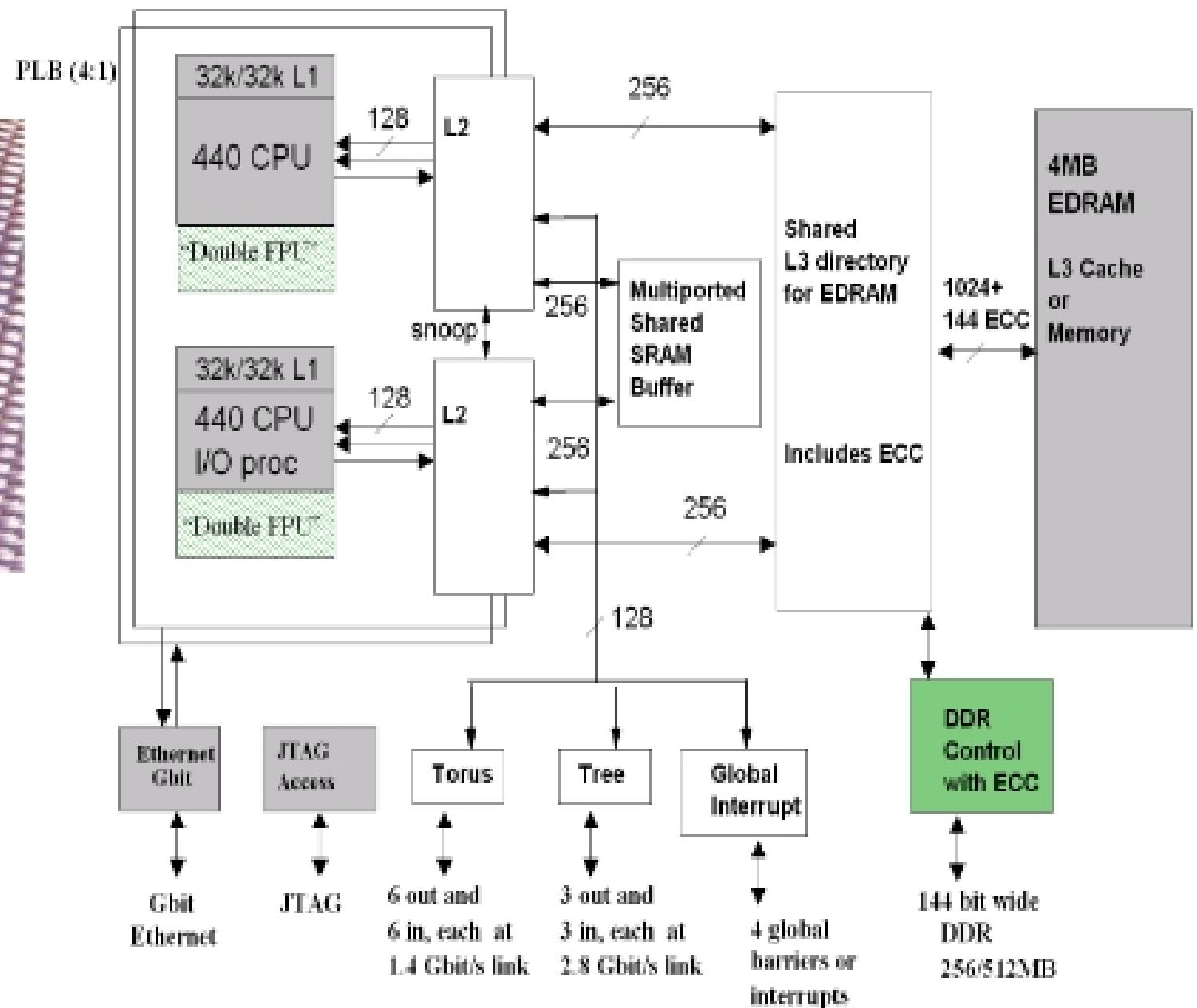


Figure 2.2 Schematic example configuration of the research infrastructure. The final configuration will be chosen in 2003, based on scientific, economic and environmental considerations.

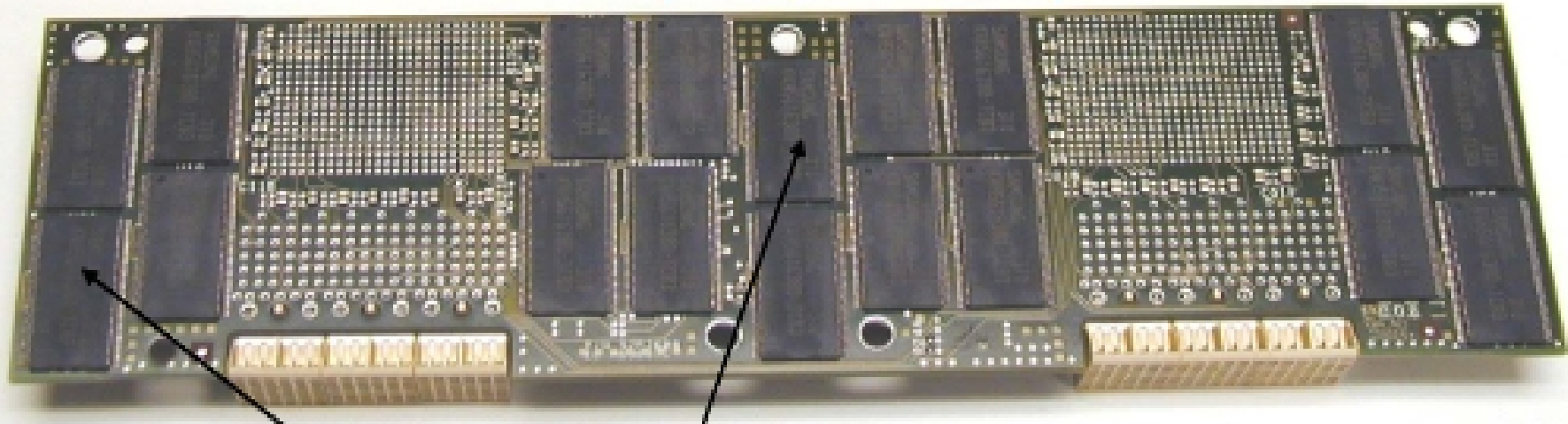
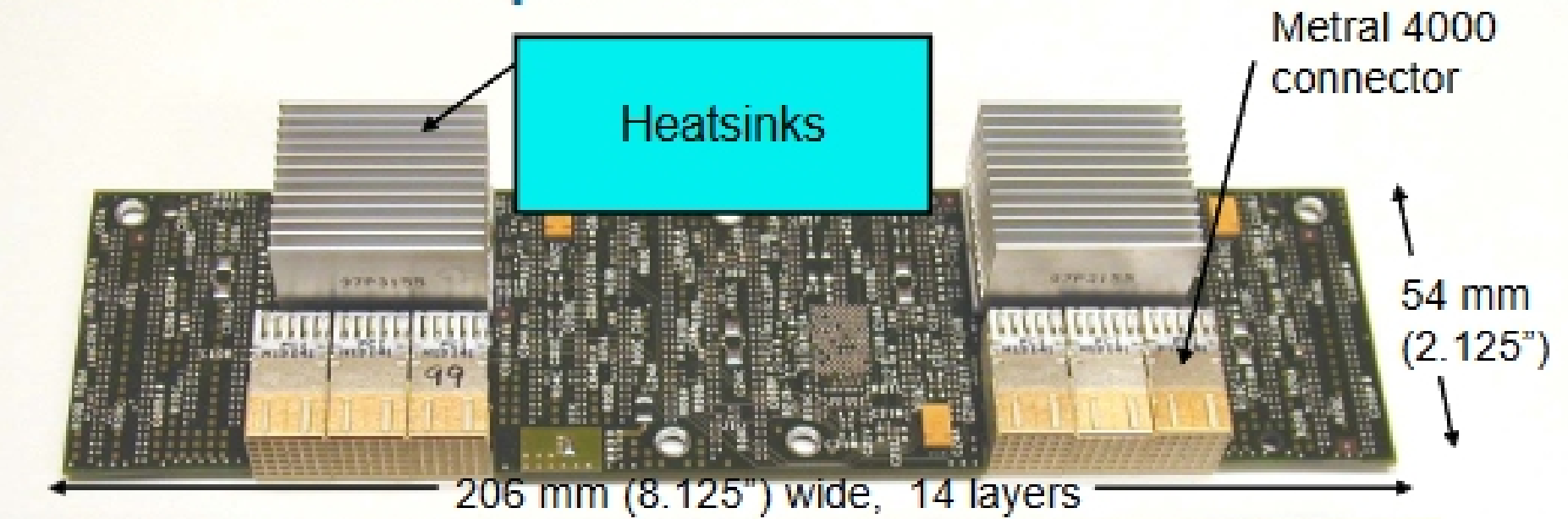
BlueGene/L chip



IBM CU-11, 0.13 μm
 11 x 11 mm die size
 25 x 32 mm CBGA
 474 pins, 328 signal
 1.5/2.5 Volt



Dual Node Compute Card



0.5 GB RAM/node