

# **PETE 662**

# **Production Engineering**

## **Chapter 5**

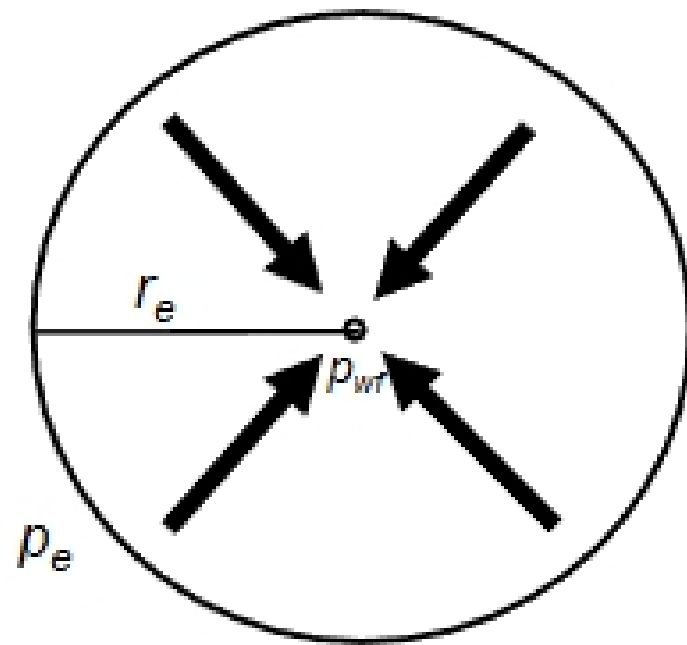
## **Production from Horizontal Wells**



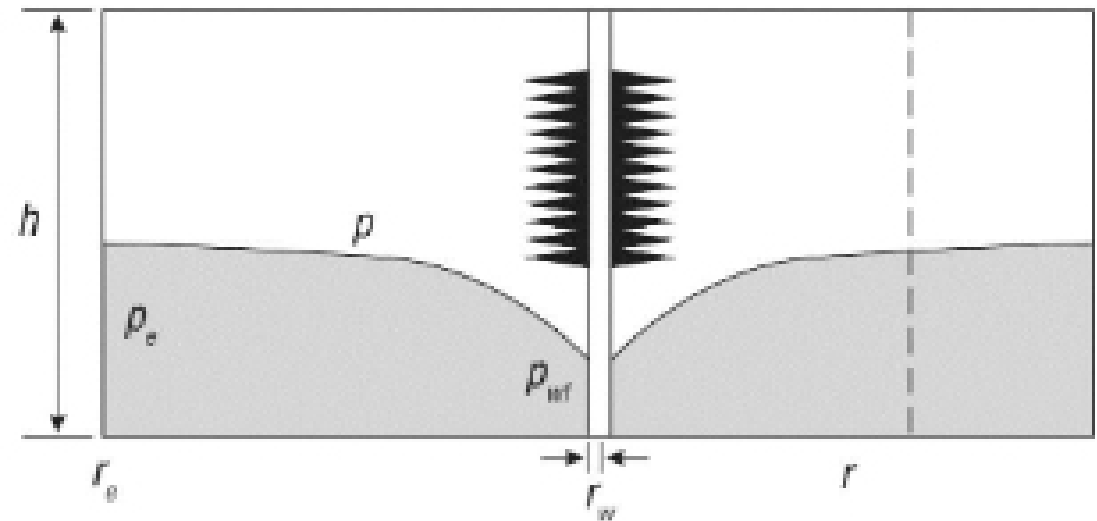
*Harold Vance Department of*

**PETROLEUM ENGINEERING**  
TEXAS A & M UNIVERSITY

# Vertical Well Flow Pattern



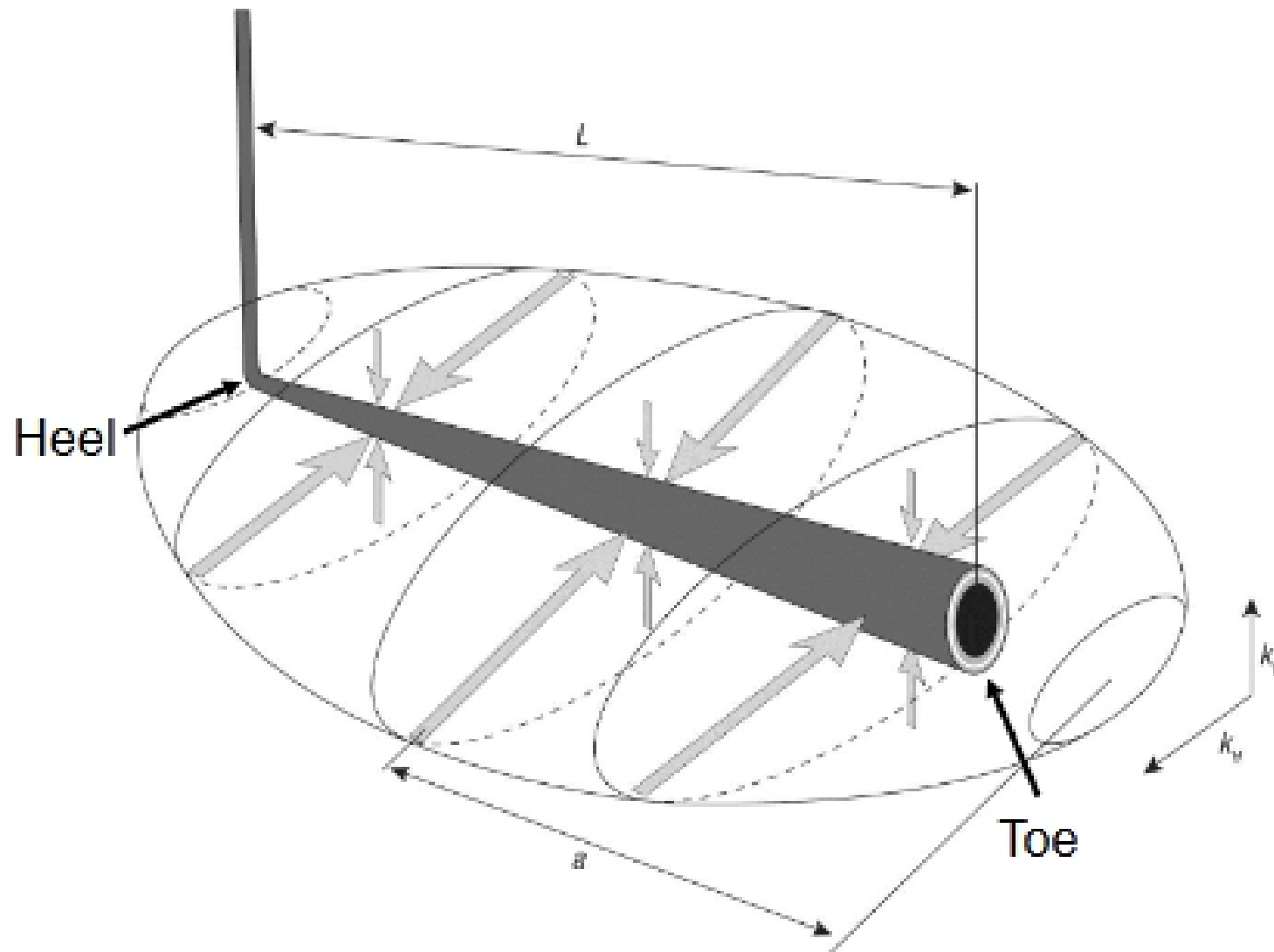
Top View



Cross-Sectional View

Radial drainage pattern

# Horizontal Well Flow Patterns



Combination of radial, linear, and elliptical drainage patterns