

# Lecture 7

## Datalink - Bridging and Switching

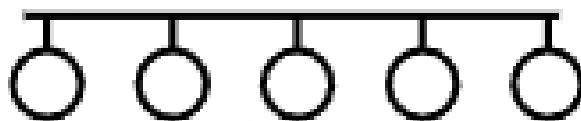
Peter Steenkiste  
Departments of Computer Science and  
Electrical and Computer Engineering  
Carnegie Mellon University

15-441 Networking, Spring 2006  
<http://www.cs.cmu.edu/~prs/15-441>

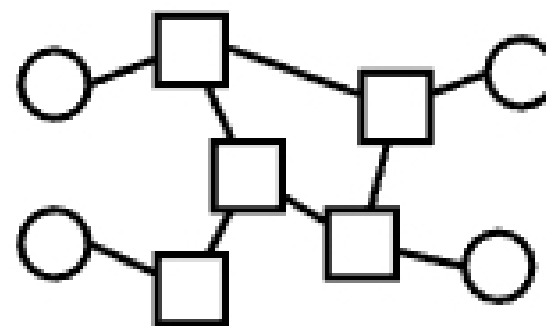
Peter A. Steenkiste, ECE, CMU

1

## Datalink Layer Architectures



- **Multiple access networks.**
  - » Contention-based
  - » Taking turns
  - » Partitioning



- **Switched networks.**
  - » Switch design
  - » Finding a path

Peter A. Steenkiste, ECE, CMU

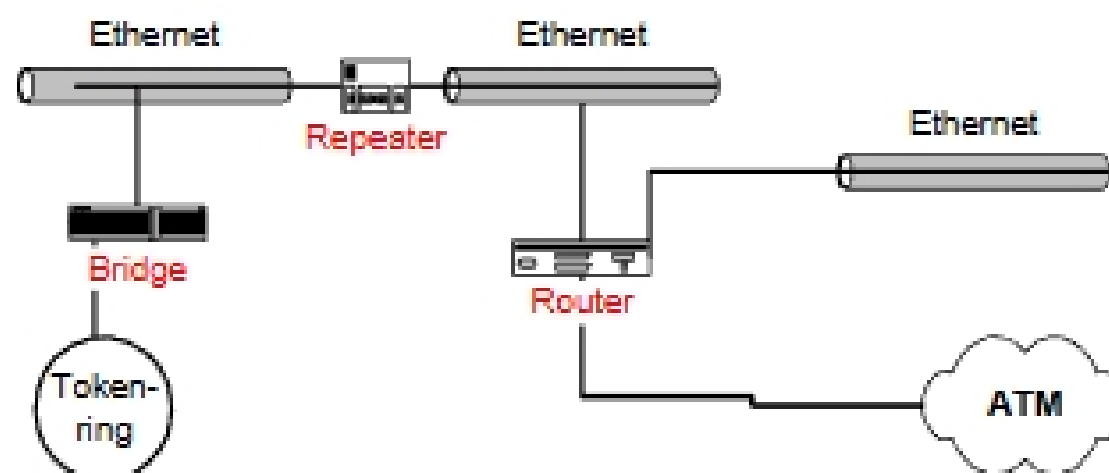
2

## Today's Lecture

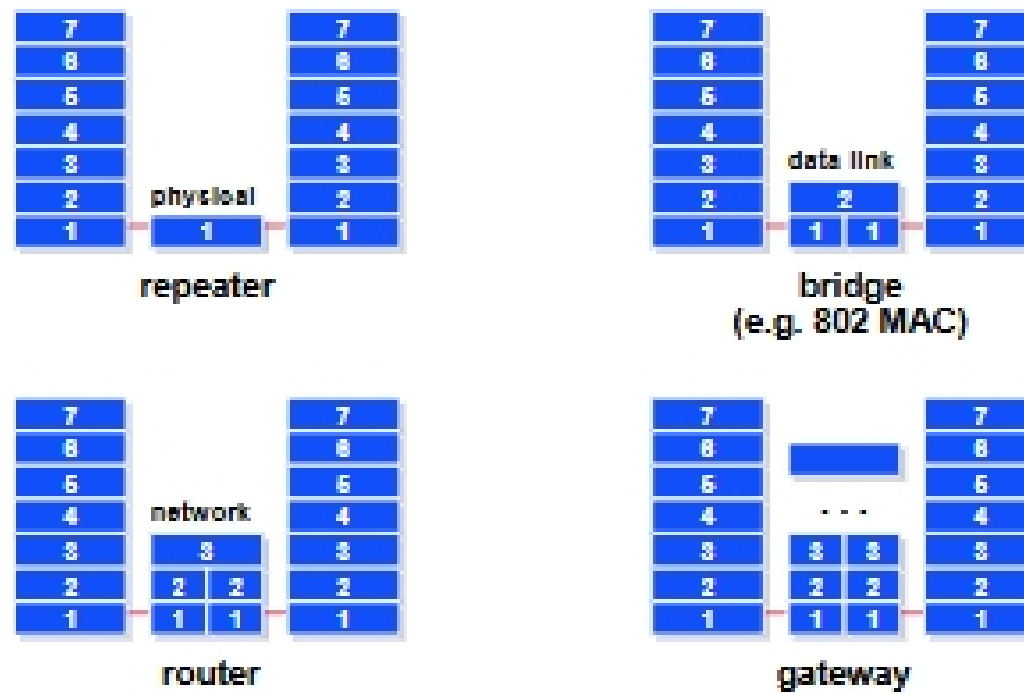
- Bridges.
- Spanning tree protocol.
- Switching.
- Connectivity to the home.

## Internetworking

- There are many different devices for interconnecting networks.



## Internetworking Options



Peter A. Steenkiste, SCS, CMU

5

## Repeaters

- Used to interconnect multiple Ethernet segments
- Merely extends the baseband cable
- Amplifies all signals including collisions



Peter A. Steenkiste, SCS, CMU

6