

15-213

“The course that gives CMU its Zip!”

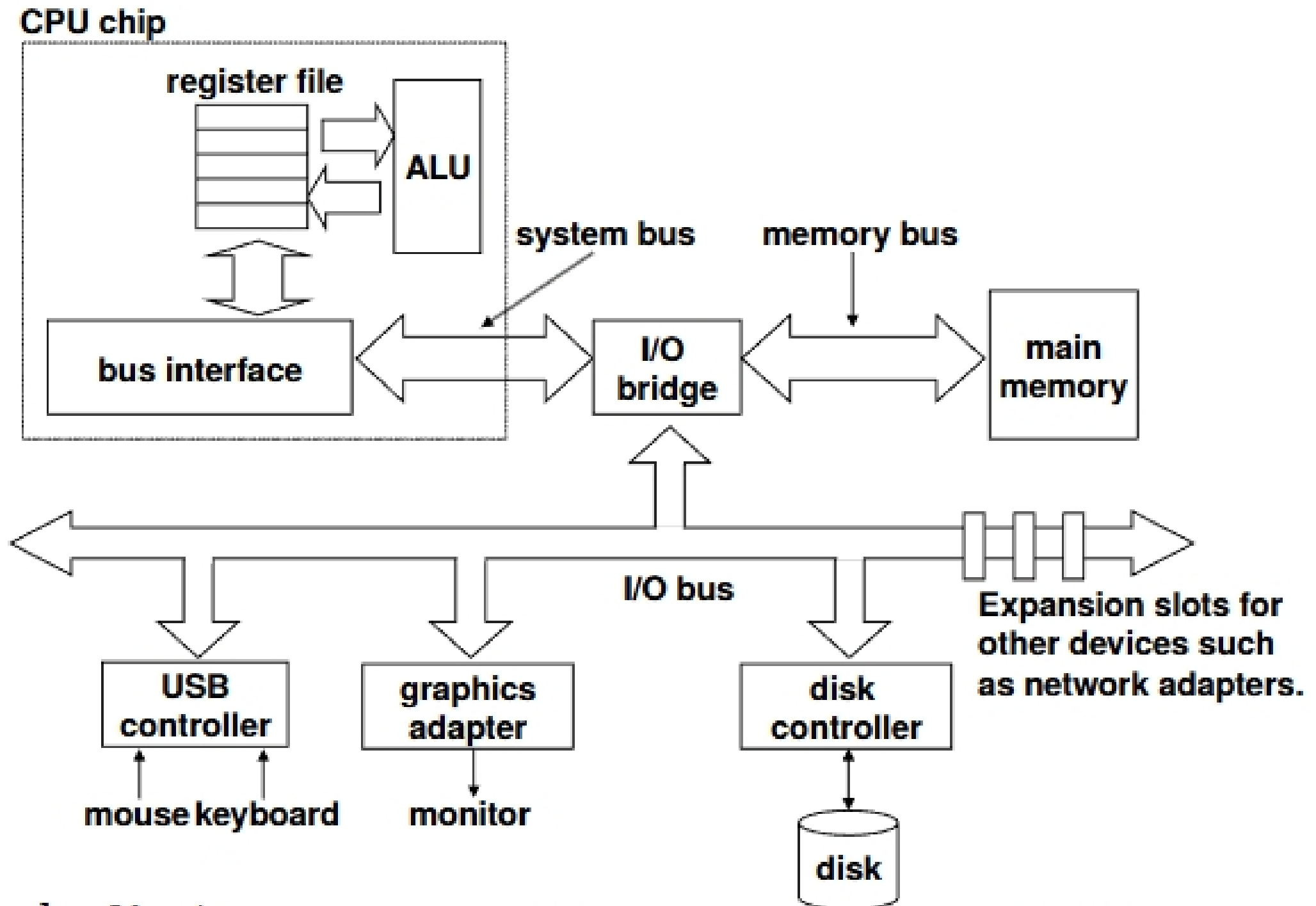
I/O

Nov 15, 2001

Topics

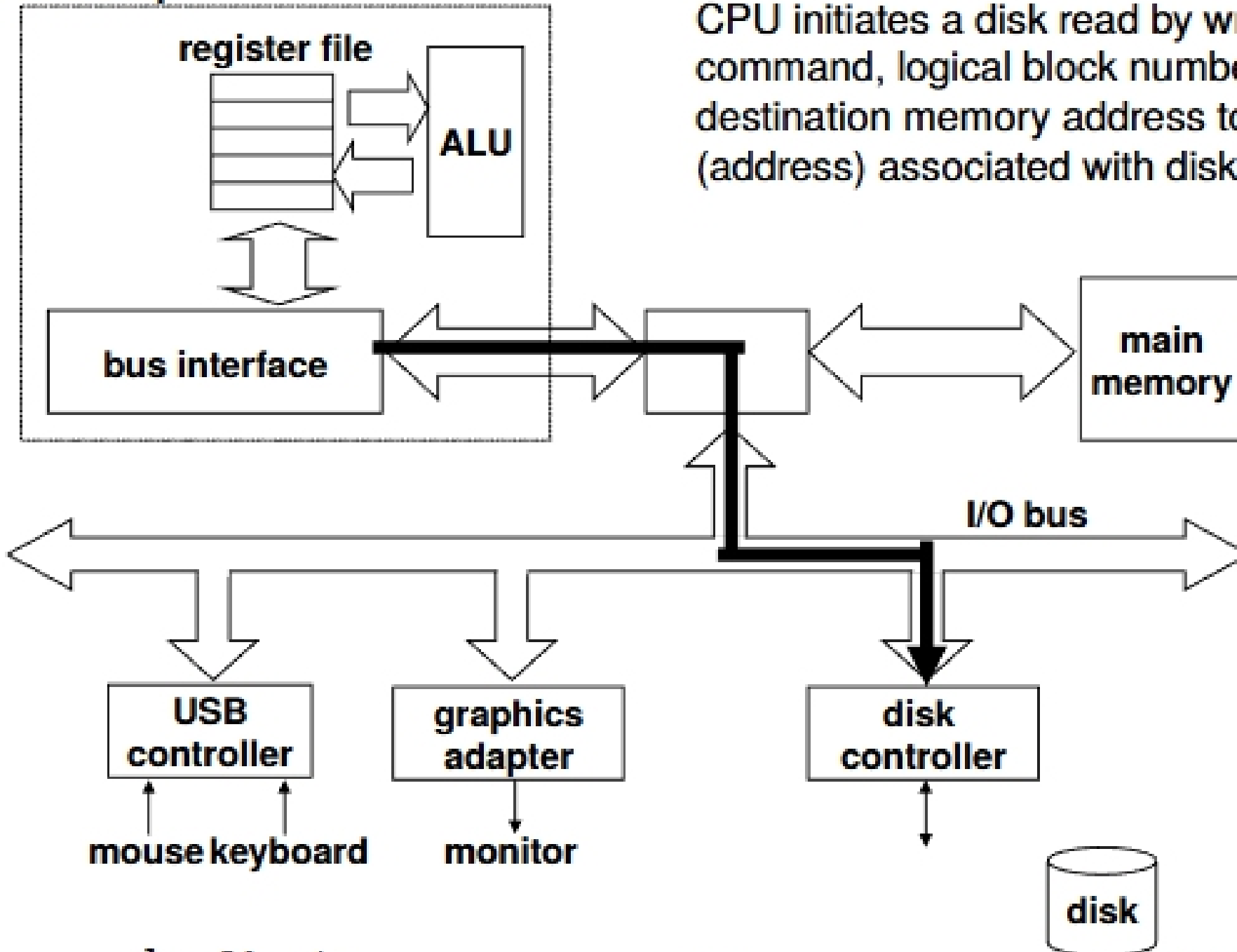
- Files
- Unix I/O
- Standard I/O

A typical hardware system



Reading a disk sector (1)

CPU chip



CPU initiates a disk read by writing a command, logical block number, and destination memory address to a port (address) associated with disk controller.