

# Introduction to Computer Systems

15-213, fall 2009

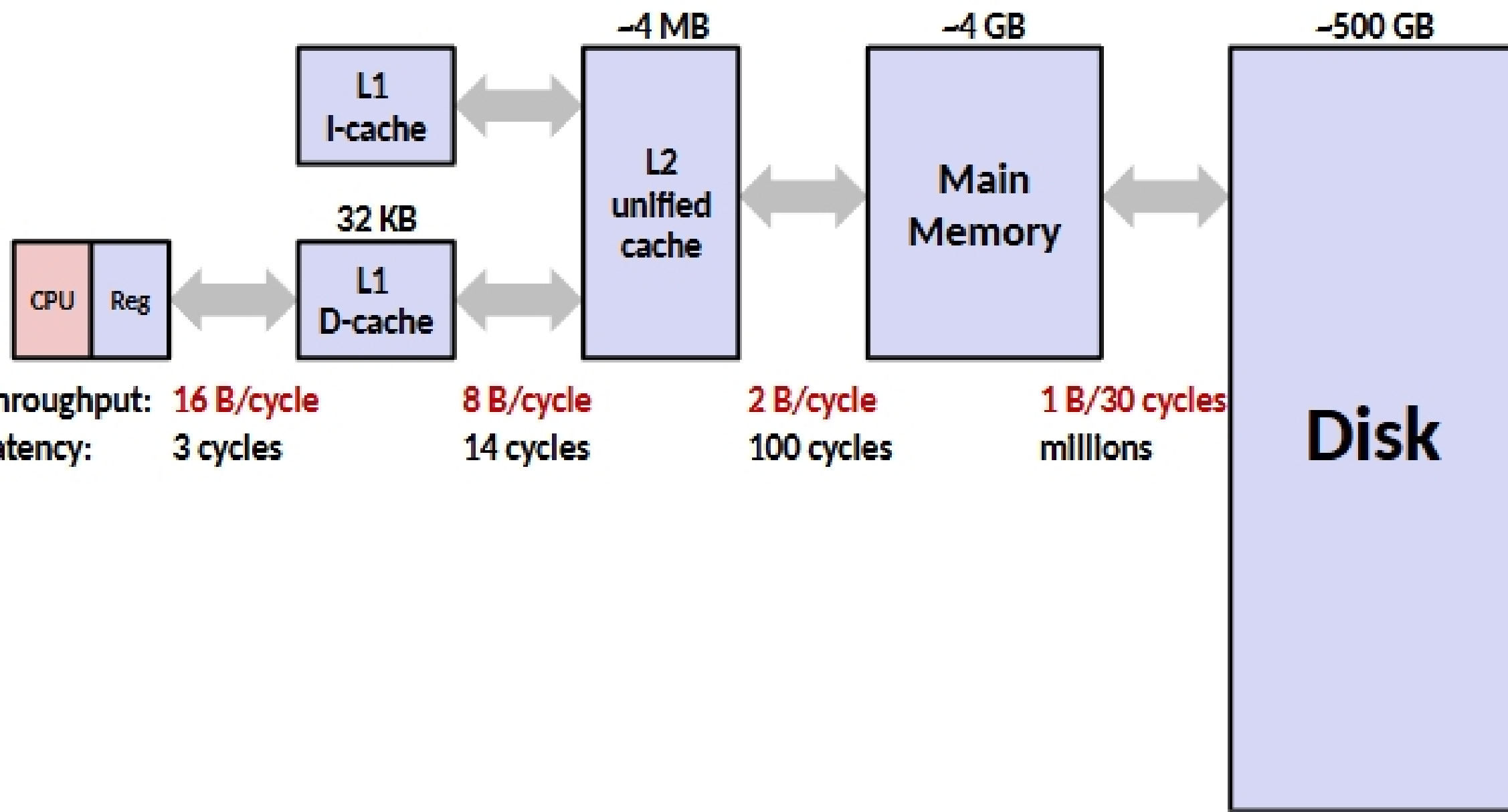
11<sup>th</sup> Lecture, Oct. 5<sup>th</sup>

## Instructors:

Majd Sakr and Khaled Harras

# Last Time

## ■ Memory hierarchy (Here: Core 2 Duo)



# Last Time

## ■ Locality

### ■ Temporal locality:

- Recently referenced items are likely to be referenced again in the near future



### ■ Spatial locality:

- Items with nearby addresses tend to be referenced close together in time

