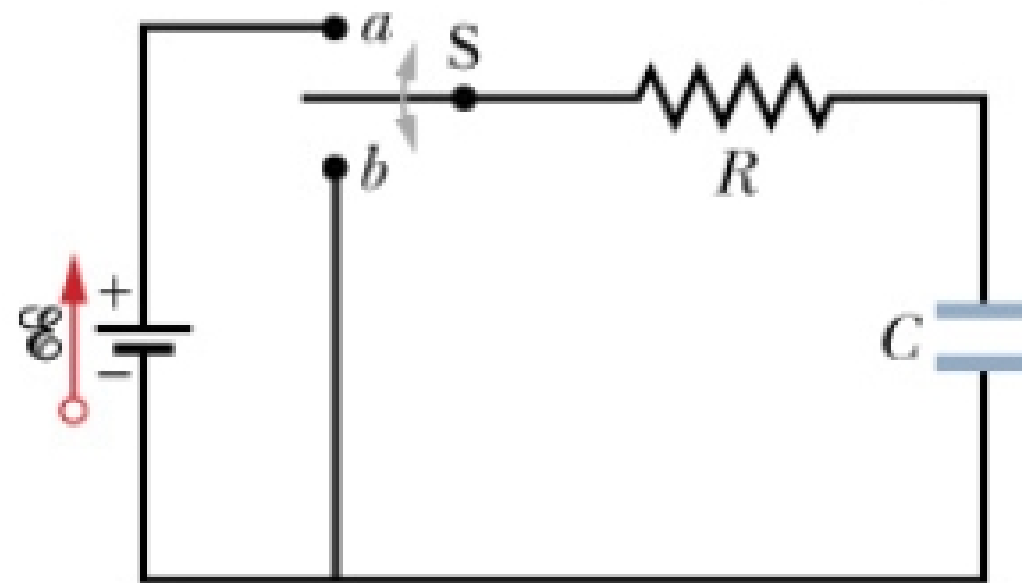
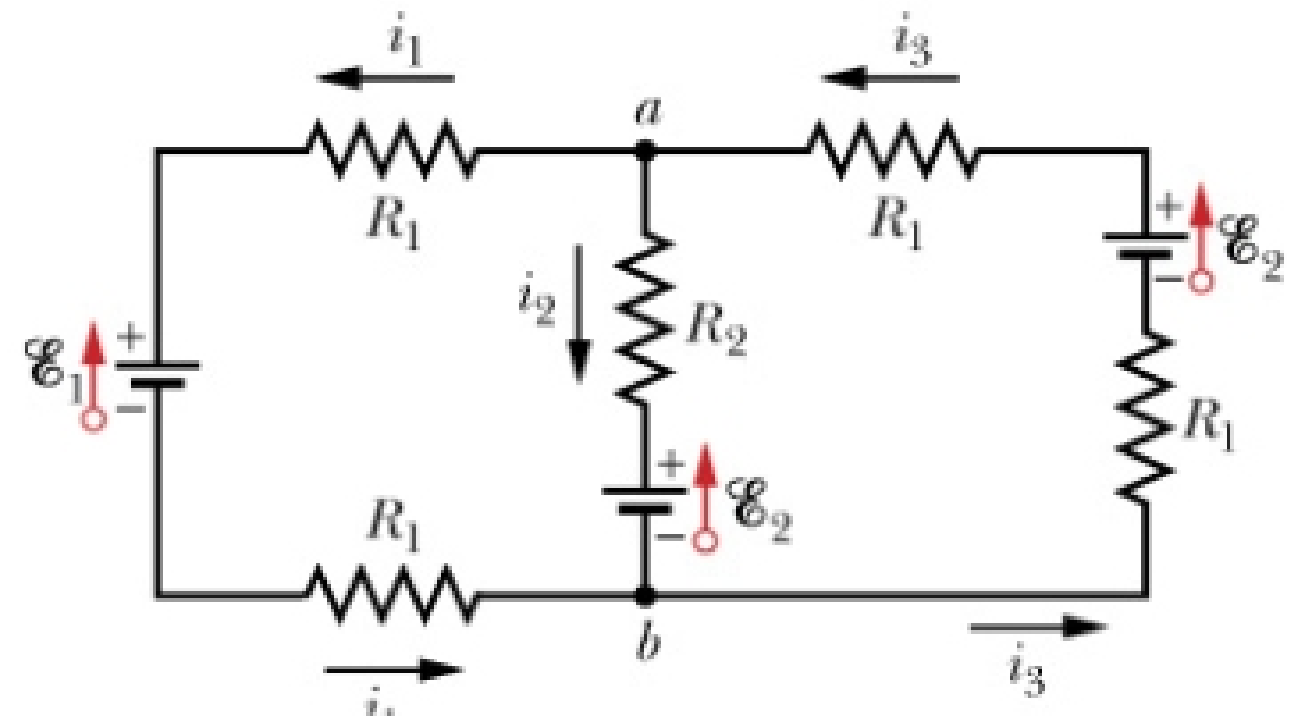
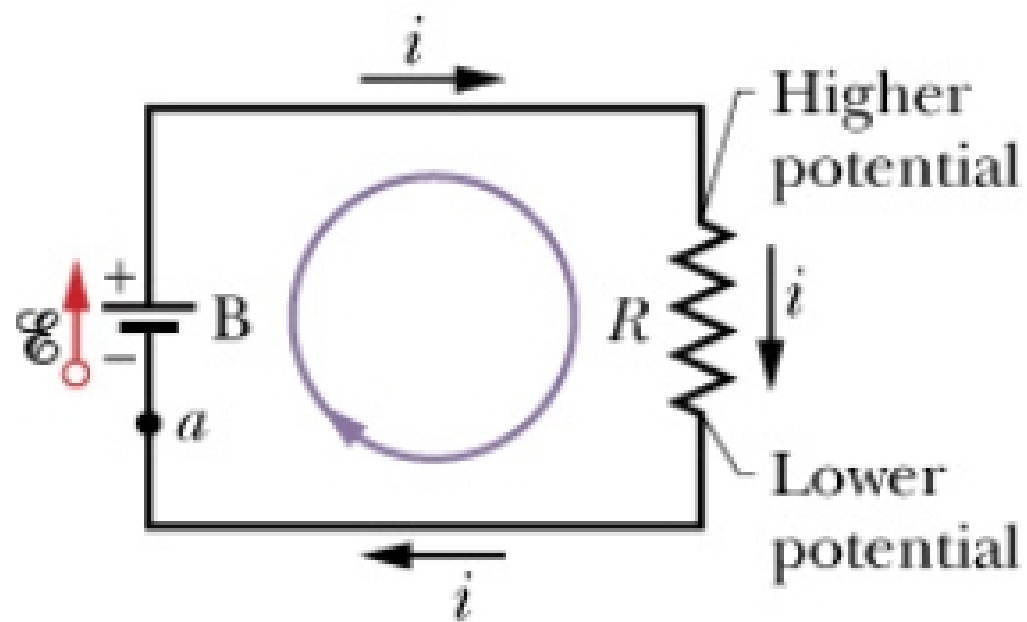


Current and Resistance



What You Will Learn in This Chapter

- Nature of electric current
- Drift speed and current
- Current and voltage measurements
- Conductivity and resistivity
- Ohm's law
- Temperature variations of resistance
- Superconductors
- Power in electric circuits
- Electrical activity in the heart

Current

→ The electric current is defined as

- ◆ (a) Amount of charge per time
- ◆ (b) Amount of charge per volume
- ◆ (c) Amount of charge per area
- ◆ (d) Amount of charge
- ◆ (e) None of these

$$I = \frac{\Delta q}{\Delta t}$$