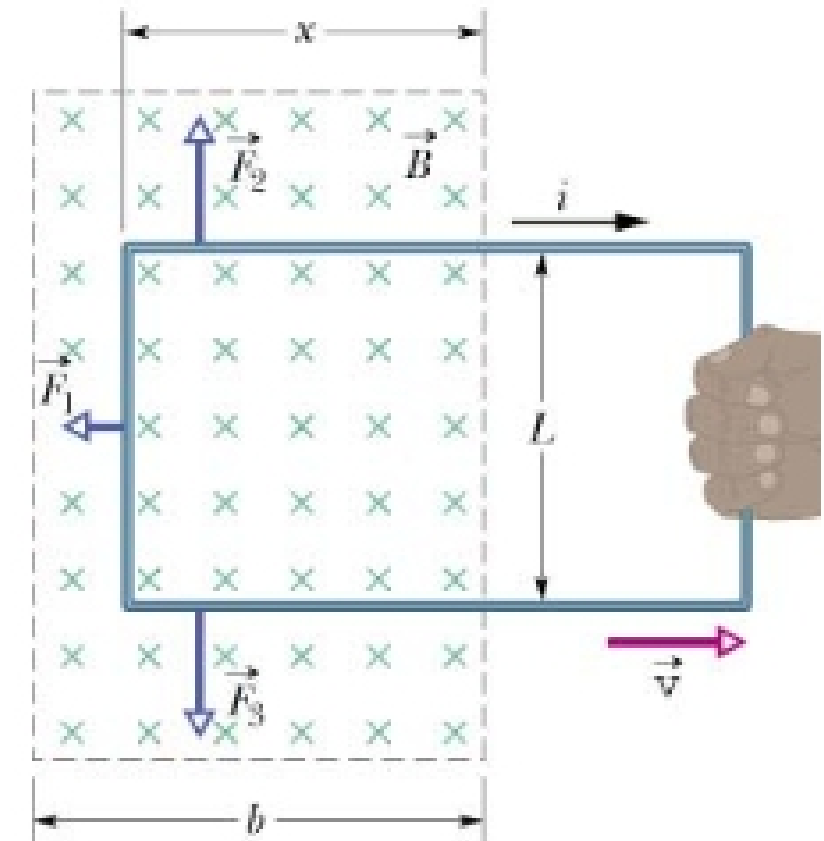
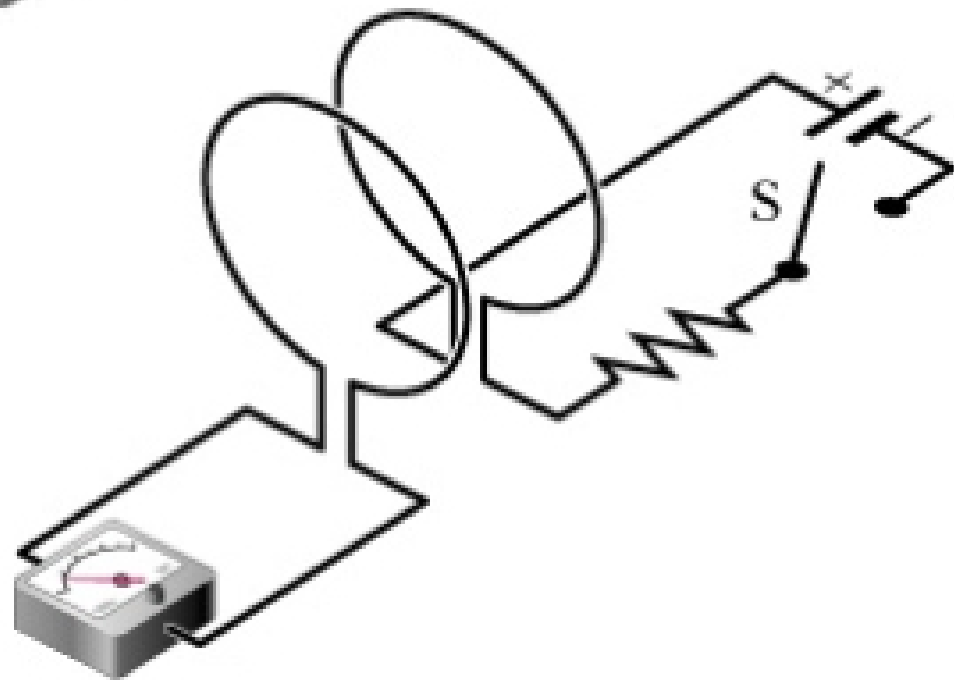
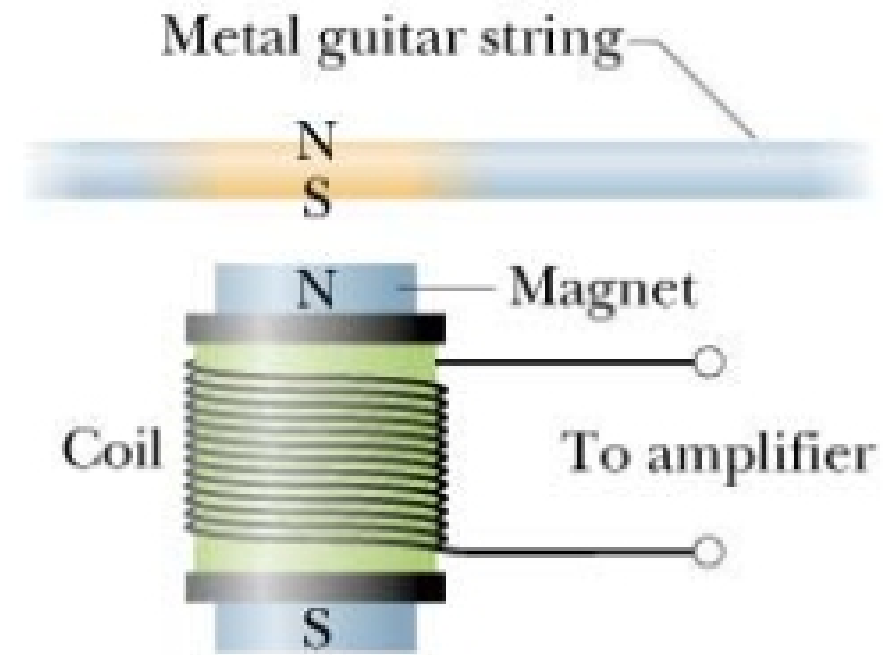
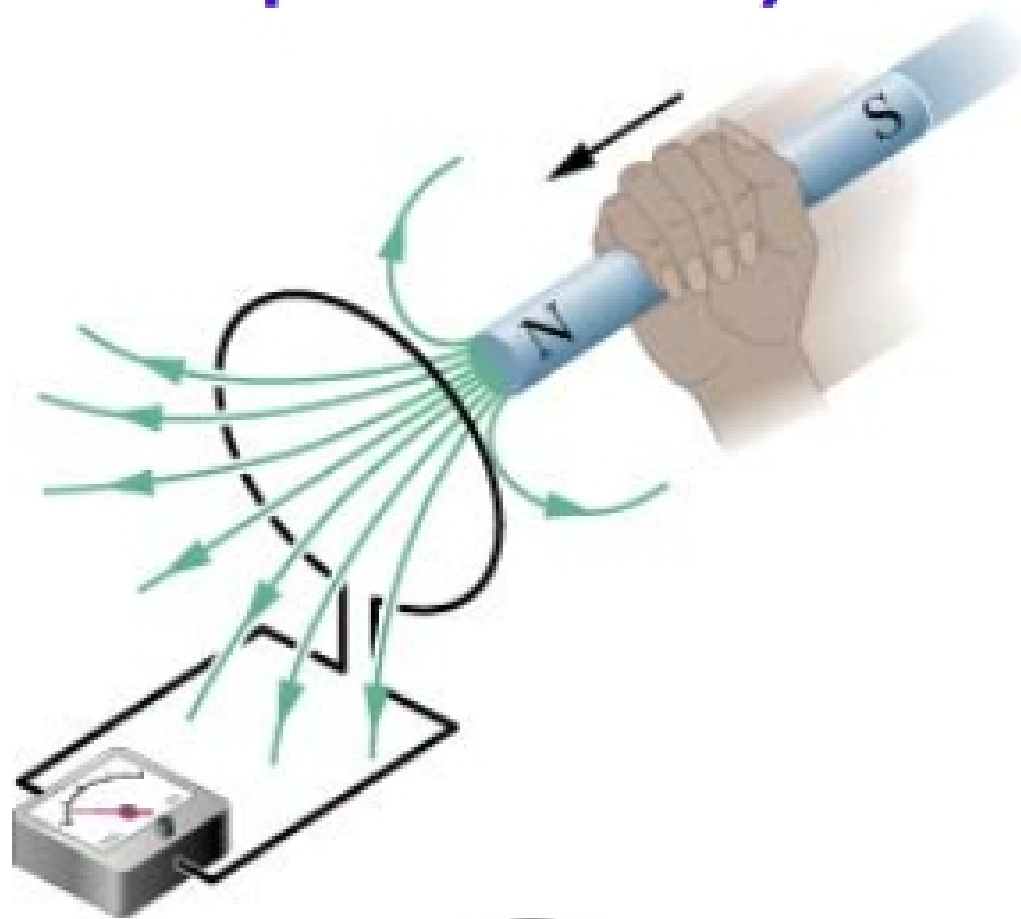


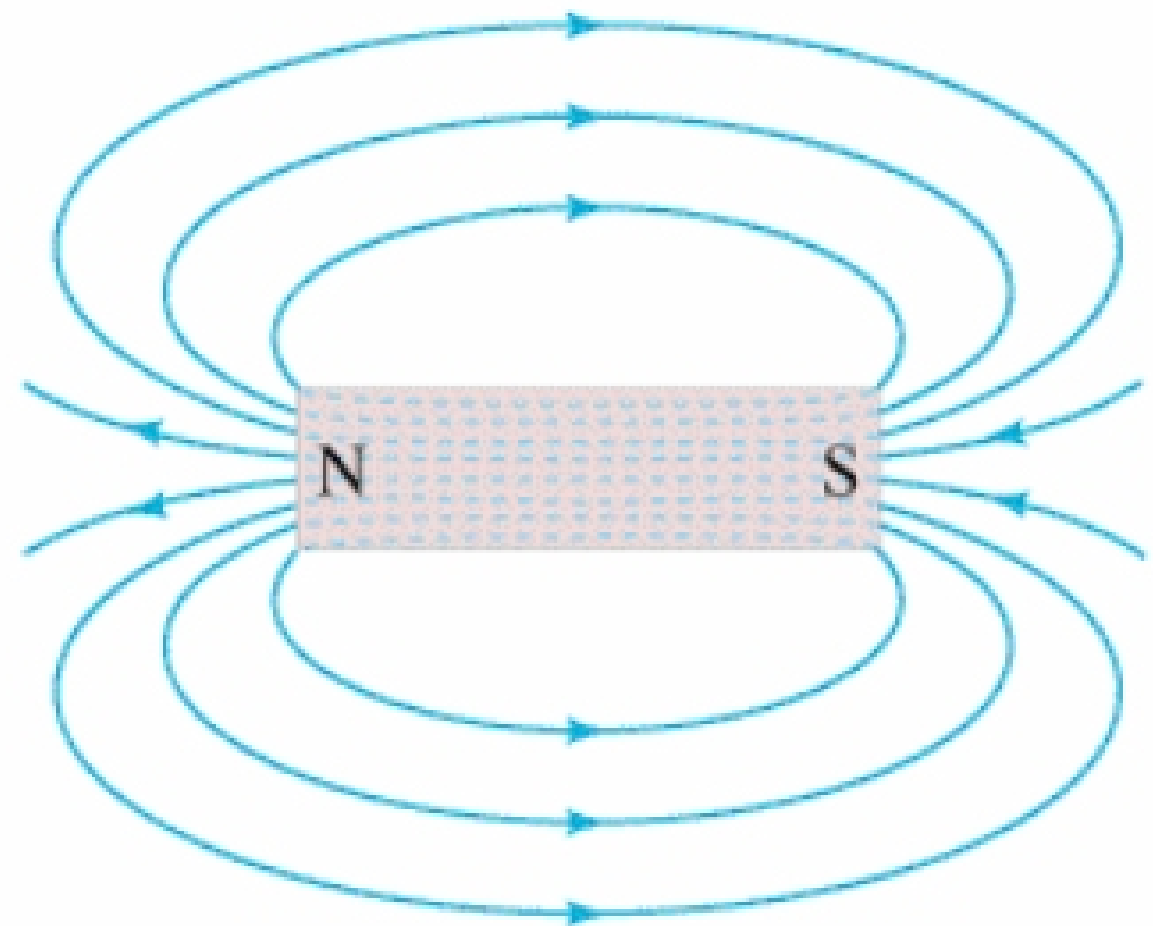
# Chapters 34,36: Electromagnetic Induction



# Topics

## → Electromagnetic Induction

- ◆ Magnetic flux
- ◆ Induced emf
  - Faraday's Law
  - Lenz's Law
  - Motional emf
- ◆ Magnetic energy
- ◆ Inductance
- ◆ RL circuits
- ◆ Generators and transformers



# Reading Quiz 1

→ Magnetic flux through a wire loop depends on:

- ◆ 1) thickness of the wire
- ◆ 2) resistivity of the wire
- ◆ 3) geometrical layout of the wire
- ◆ 4) material that the wire is made of
- ◆ 5) none of the above

$$\Phi_B = \int_A \mathbf{B} \cdot d\mathbf{A}$$

Flux depends only on geometrical properties