

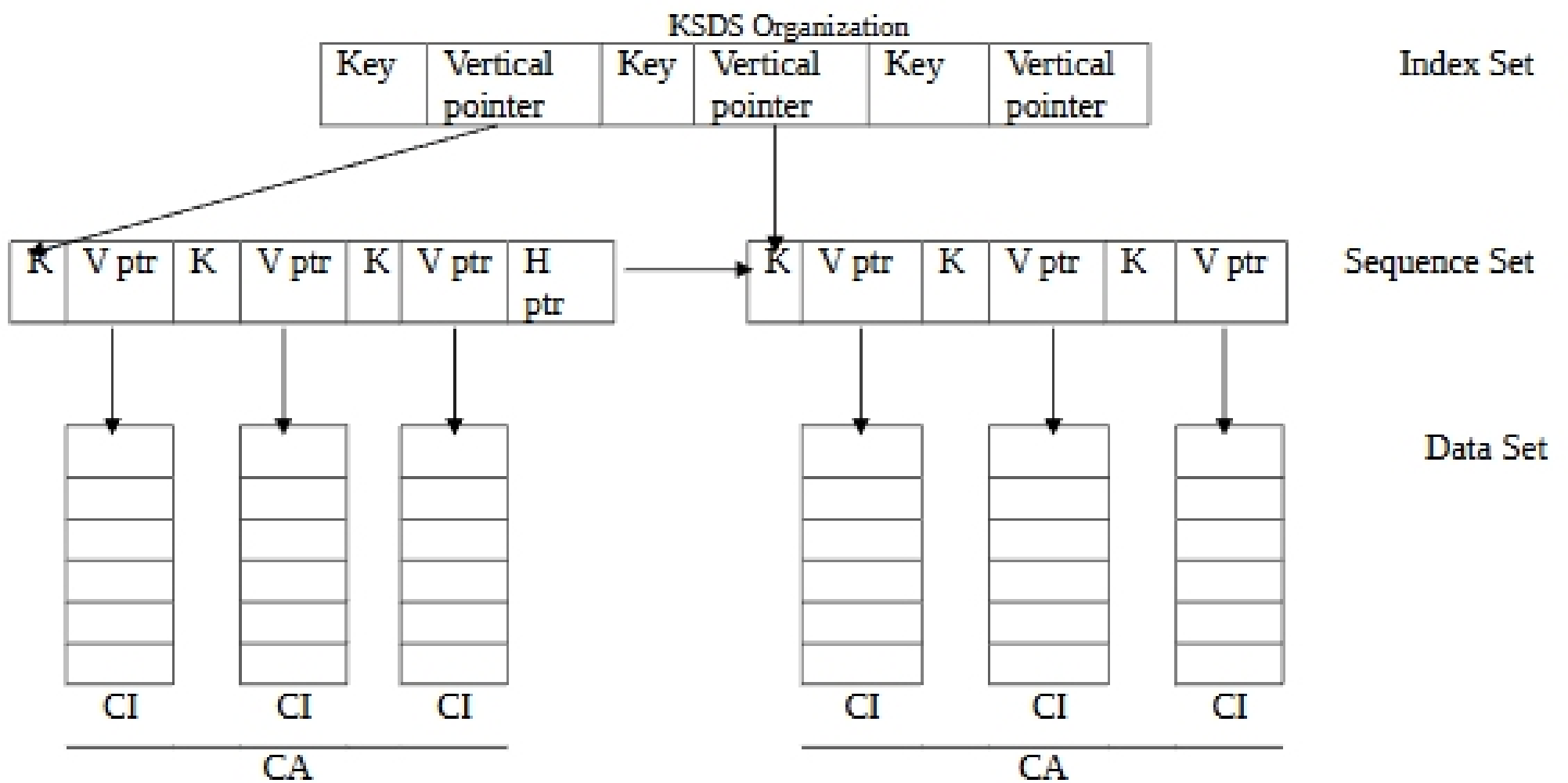
You will define and load a KSDS VSAM file for this lab. This will be the file which will be used by your project.

**VSAM**

- Virtual Storage Access Method
- IBM Product
- Types
  - ESDS - Entry Sequenced Data Set
  - RRDS - Relative Record Data Set
  - KSDS - Key sequenced Data Set
  - AIX - Alternate Index
- IDCAMS

**KSDS Organization**

- Primary key
  - Unique
  - Indexed
    - High Level Index or Indexed Set
    - Low Level Index or Sequenced Set
- CA - Control Area
- CI - Control Interval



The records in the file must consist of at least 4 fields. You may want to use the fields from your ADD screen as some or all of the fields.

You should define the VSAM file using the Access Method Services utility stored in file *VSAM Definition Job* on the course webpage.. This utility has been constructed to delete the file if it already exists and then to define it.

```
//JOB CAT DD DSN=CPTECH.USERCAT, DISP=SHR
//AMSERV EXEC AMSERV
//SYSIN DD * >>> VSAM CLUSTER DEFINITION FOLLOWS <<<
    DELETE Z00.AVSAM CLUSTER PURGE
    DEFINE CLUSTER (NAME(Z00.AVSAM) -
        VOLUMES(TEST01) -
        RECORDS(50 5) -
        KEYS(2 0) -
        RECORDSIZE(80 80))
/*
/** KEYS(M N) M IS KEYLENGTH N + 1 IS RELATIVE KEY POSITION
/**
```

After defining your VSAM file, you should load at least one record into the file using the *VSAM Load Job* on the course web-page.

You will need to use the CEMT command for this lab.

```
CEMT INQ,FILE(Z01AVSM)
STATUS: RESULTS - OVERTYPE TO MODIFY
  Fil(Z01AVSM ) Vsa Clo Ena Rea Upd Add Bro Del          Sha
    Dsn( Z01.AVSAM                                     ) Max( 00000000 )

SYSID=CICS APPLID=CICSA
RESPONSE: NORMAL                                TIME: 20.07.08 DATE: 10.19.04
PF 1 HELP          3 END                        7 SBH 8 SFH 9 MSG 10 SB 11 SF
```

**Clo** indicates that the file is closed under CICS. A file must be closed to run a batch job which either deletes, defines or updates the file. You must change Clo to **Ope** to open a file under CICS. A file must be open under CICS before any CICS transaction can access it.

**Ena** indicates that the file is enabled under CICS. Only enabled files may be accessed by transactions. Change **Dis** to **Ena** to enable a file. This will be further explained in class.

You may print your file using the Access Method Services utility from the *VSAM Print Job* on the course webpage.

```
//JOB CAT DD DSN=CPTECH.USERCAT,DISP=SHR
//AMSERV EXEC AMSERV
//SYSIN DD * >>> VSAM CLUSTER DEFINITION FOLLOWS <<<
  PRINT INFILE(INDATA) -
  CHARACTER
/*
//INDATA DD DSN=Z00.AVSAM,DISP=SHR
//SYSOUT DD SYSOUT=A
//OUTFILE DD SYSOUT=A
//
```

Submit the following items for evaluation: a printed record layout of your VSAM file, all output from the definition utility, and all output from the load program. Print your name and your 2 digit CICS number on the front of your listing.

Due date: Tuesday, November 2