

# **EGR 262**

## **Fundamental Circuits Lab**

### **Presentation for Lab #1**

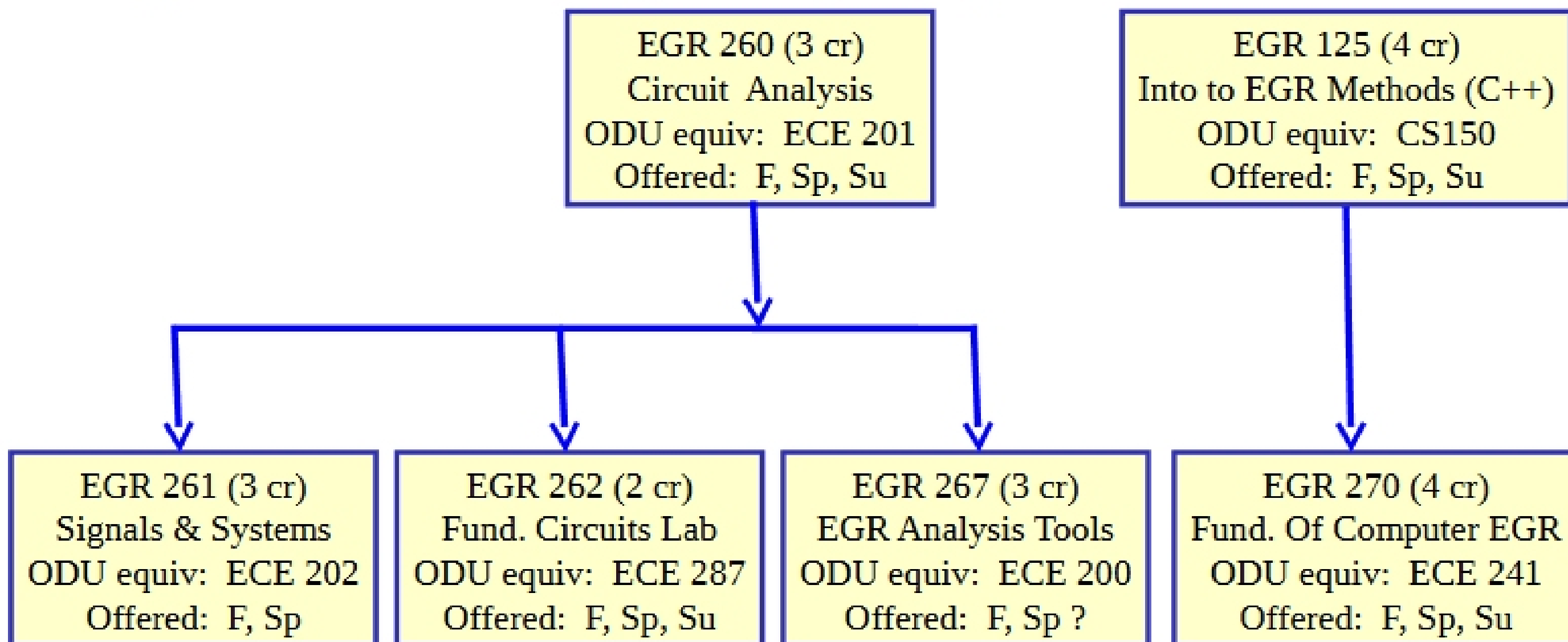
**Instructor: Paul Gordy**

**Office: H-115**

**Phone: 822-7175**

**Email: [PGordy@tcc.edu](mailto:PGordy@tcc.edu)**

## Sequence of Electrical/Computer Engineering Courses at TCC

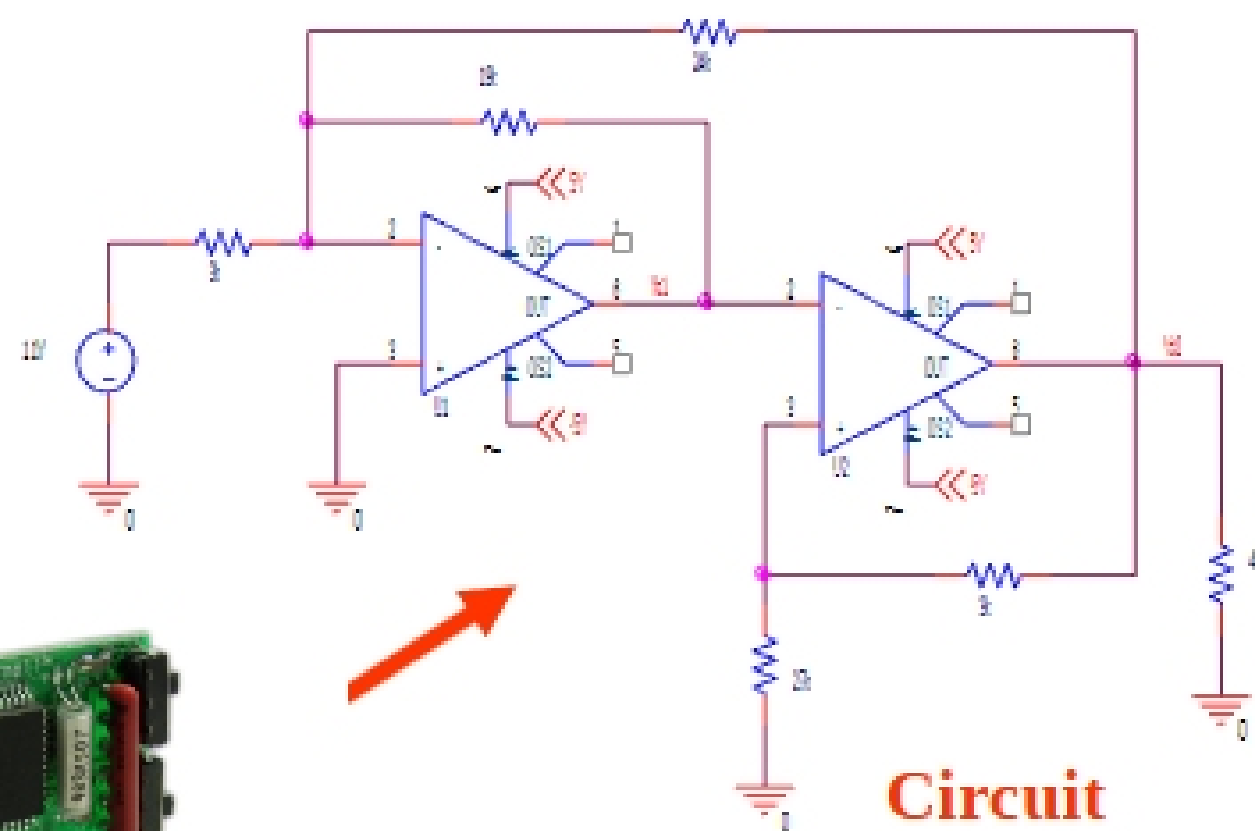


## Focus of EGR 262

EGR 262 is a unique lab course that was first developed at Notre Dame. It was then adapted for use at ODU and then at TCC. The lab involves a combination of hardware and software as various experiments are conducted by writing C programs to use a microprocessor to control various types of circuits.



**ICC11  
C Compiler**



**Circuit**



**MicroStamp11  
Microprocessor**