

PENNSSTATE



2 HW & CS #2 TO PICK UP

HW #9 - MINIMAL FTA

COST/BENEFIT

↓ CS #3 OWN ↗

RELATIVE

HW #10 →  
CFR 1910.211

IE 419

**Work Design:  
Productivity and Safety**

Dr. Andris Freivalds

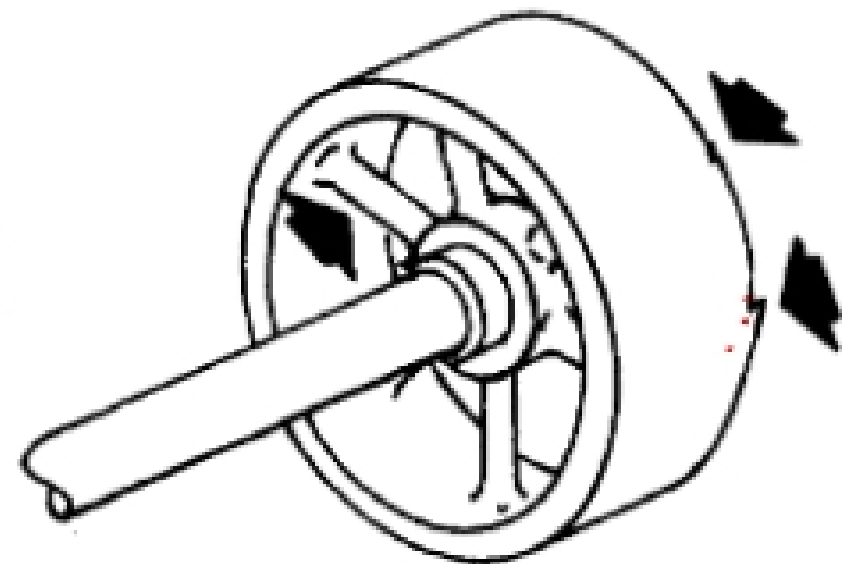
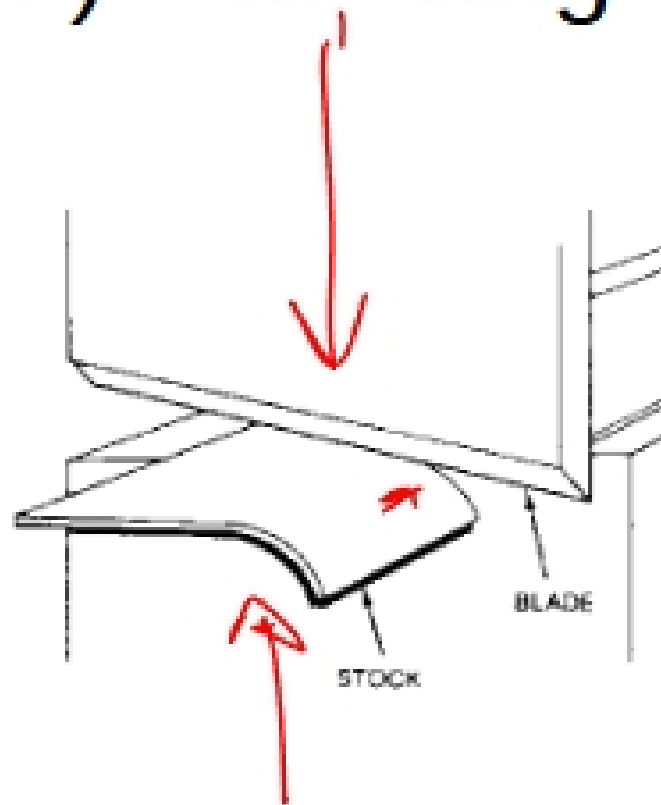
Class #31



# Mechanical Injuries <sup>HAMMER</sup> (Ch. 17)

Types of injuries:

- 1) Cutting →
- 2) Tearing
- 3) Shearing

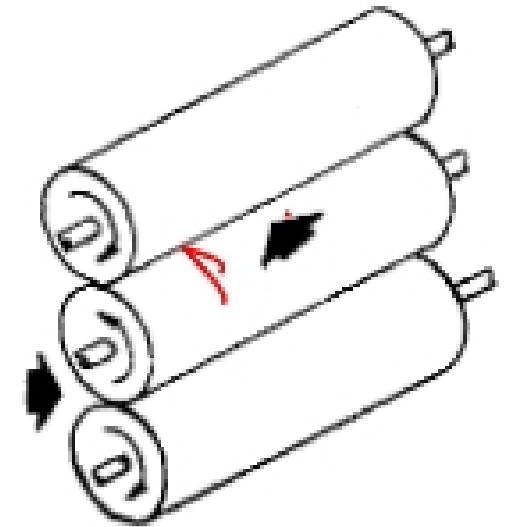
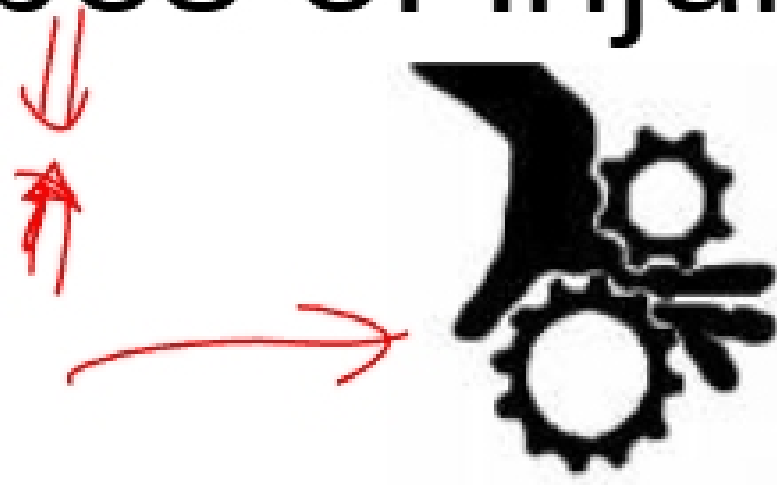


Rotating pulley with spokes and projecting burrs on face of pulley

# Types of injuries:

## 4) Crushing

- 1) Point of operation
- 2) Pinch point

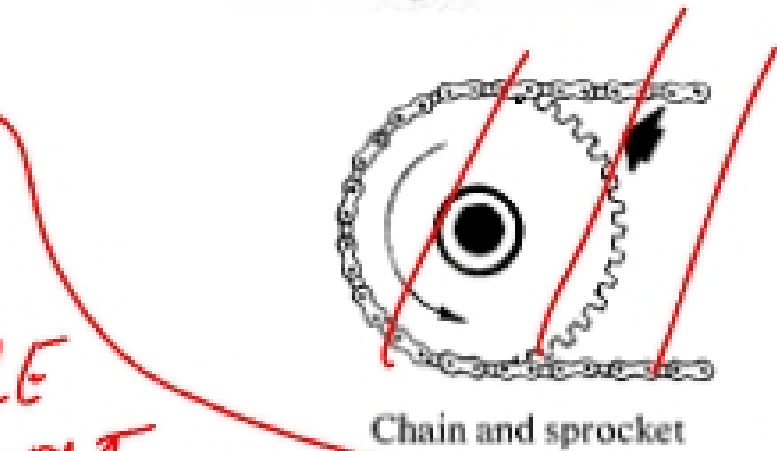


Pressure rolls

## 5) Breaking

## 6) Straining

MUSCLE  
LIGAMENT



Chain and sprocket

