

# Lecture 26

---

## ANNOUNCEMENTS

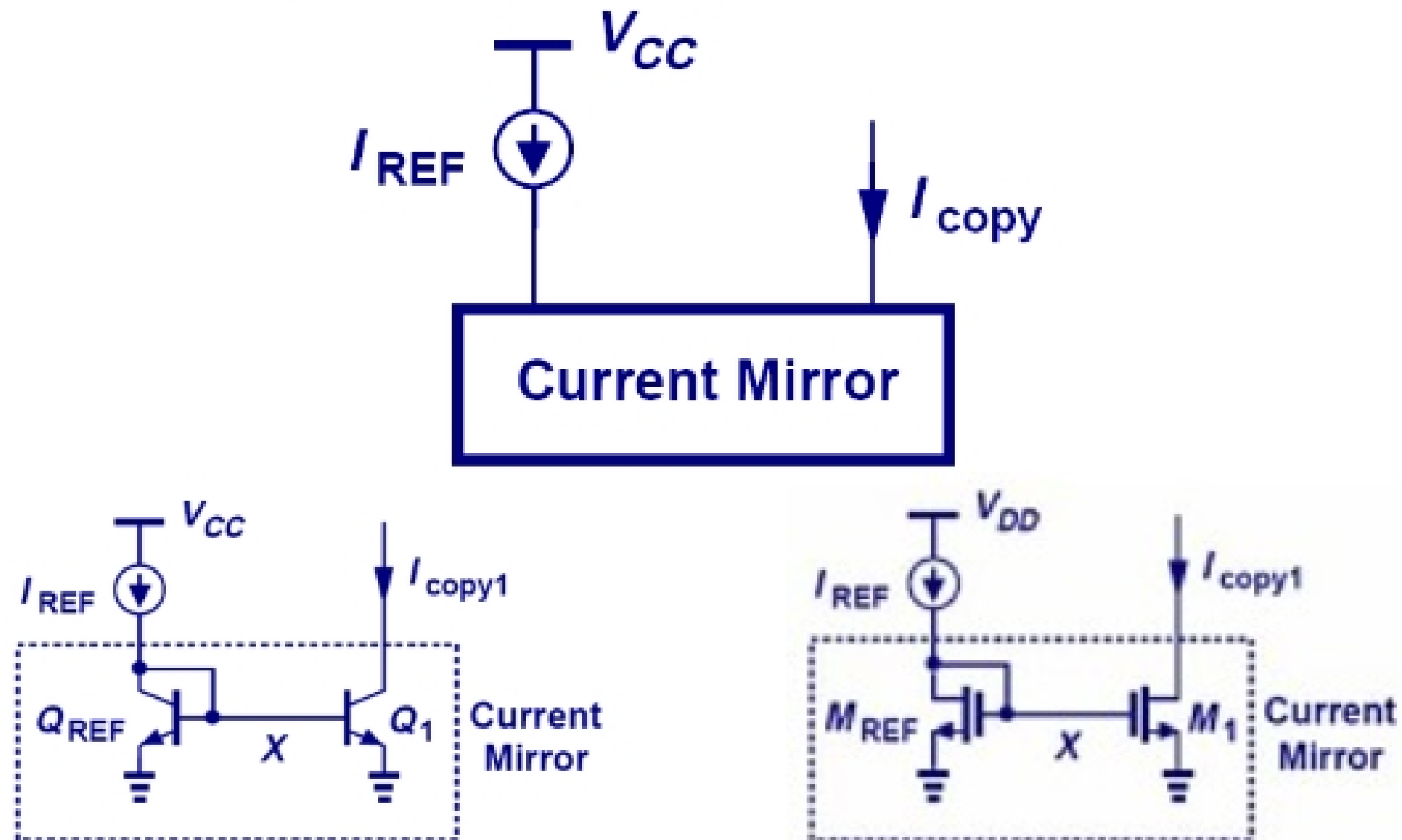
- Homework 12 due Thursday, 12/6

## OUTLINE

- Self-biased current sources
  - BJT
  - MOSFET
- Guest lecturer Prof. Niknejad

# Review: Current Mirrors

- The current mirrors we discussed require a “golden” current source,  $I_{REF}$ , to copy.



# Review: Current Mirrors (cont'd)

---

- In lab 6 and lab 10, you used a resistor as your current source.
- Q: What are some problems associated with this method?

