

Digilent Pmod LED Header Module Board Reference Manual

Revision: 4/12/05



www.digilentinc.com

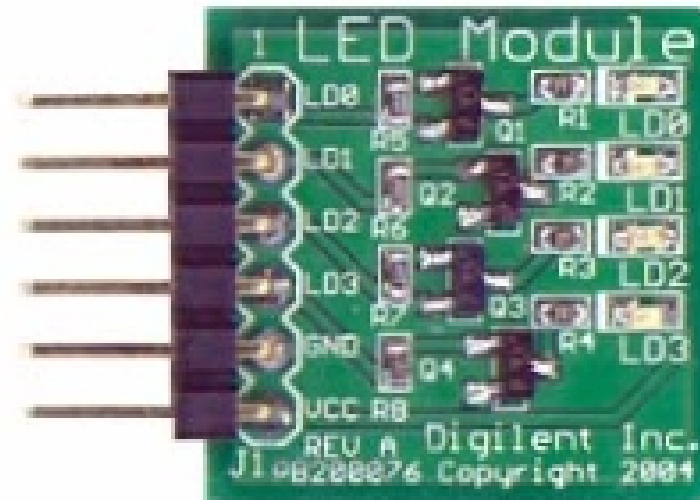
248 East Main | Pullman, WA 99163
(509) 334 6306 Voice and Fax

Overview

The LED PMOD has four high-bright LEDs that are driven by logic-level transistors so each LED can be illuminated with a logic high signal that provides less than 1mA of current.

Features include:

- four high bright red LEDs
- a 6-pin system connector
- a transistor amplifier system that allows low-power logic-level control
- small form factor (0.80" x 0.80").



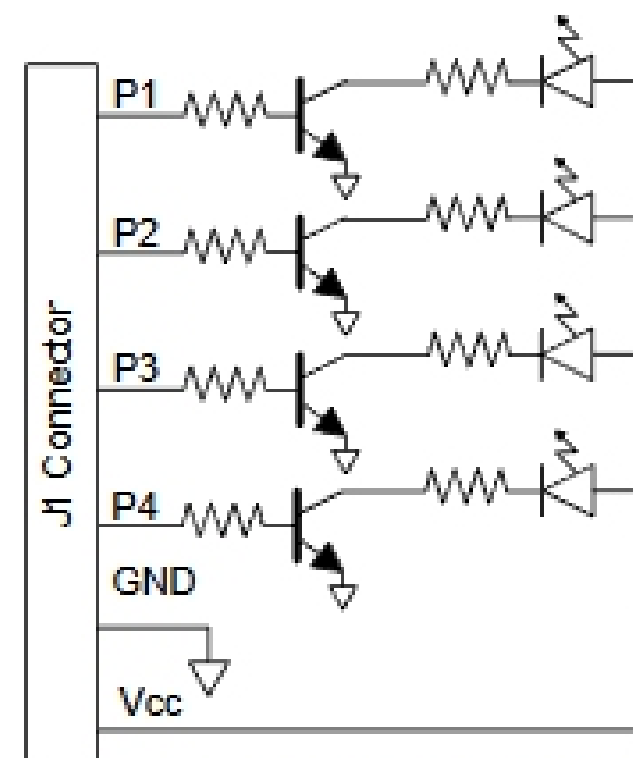
Functional Description

Each LED can be activated separately or simultaneously. To activate an LED, the pin connected to the LED must receive about 1mA of current.

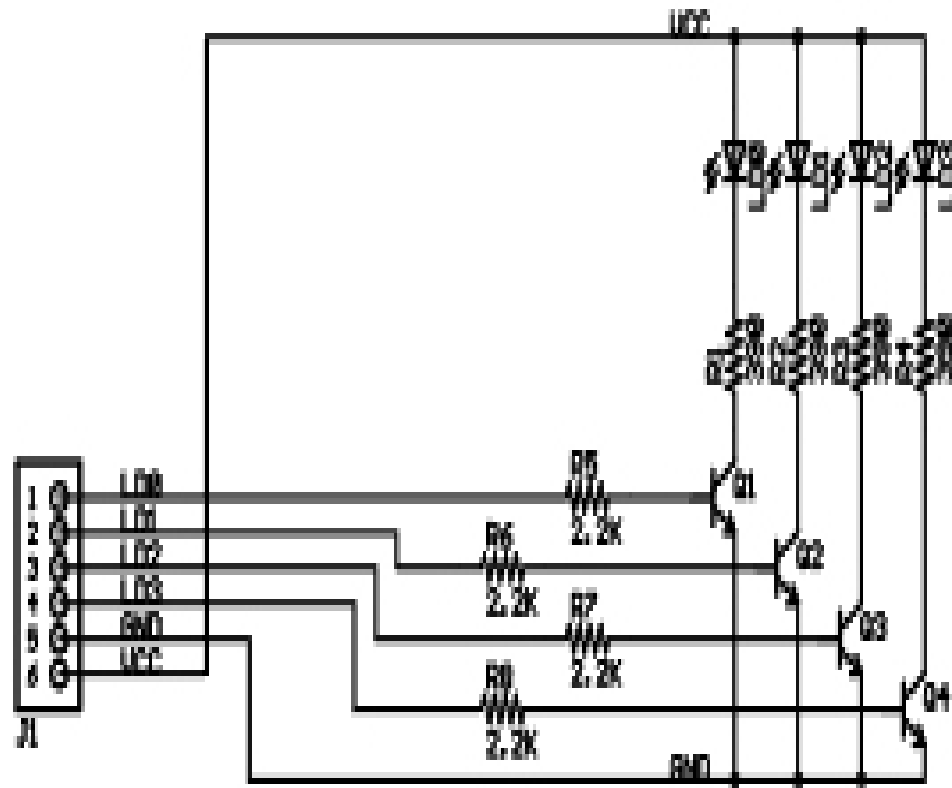
The LED module has a 6-pin header for easy connection to a Digilent system board. Some system boards, like the Digilent Pegasus board, have a 6-pin header that can connect to the LED module with a 6-pin cable.

To connect the LED module to other Digilent system boards, a Digilent Modular Interface Board (MIB) and a 6-pin cable may be needed. The MIB plugs into the system board, and the cable connects the MIB to the LED module.

For more information see www.digilentinc.com.



LED Module Circuit Diagram



Digilent LED Header Module
Copyright 2004

Engineer: NEA

TITLE: HoodLED

Author: GWA

Document Number: 500-076

Rev: A

Release Date: 11/29/2004

Sheet: 1/1