

Sketching Assignment #5

Reading Assignment:

Read the following chapters in Engineering Graphics Workbook, Series 1.2 by Craig & Craig:
Chapters L – Dimensioning
Chapter M - Tolerancing

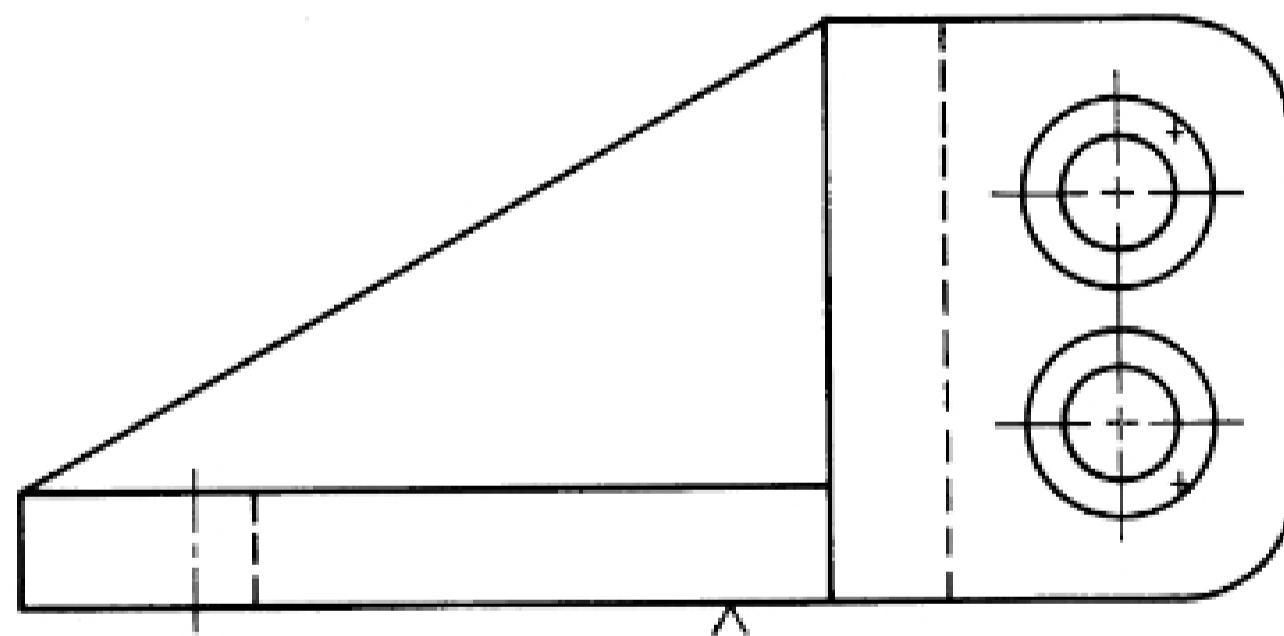
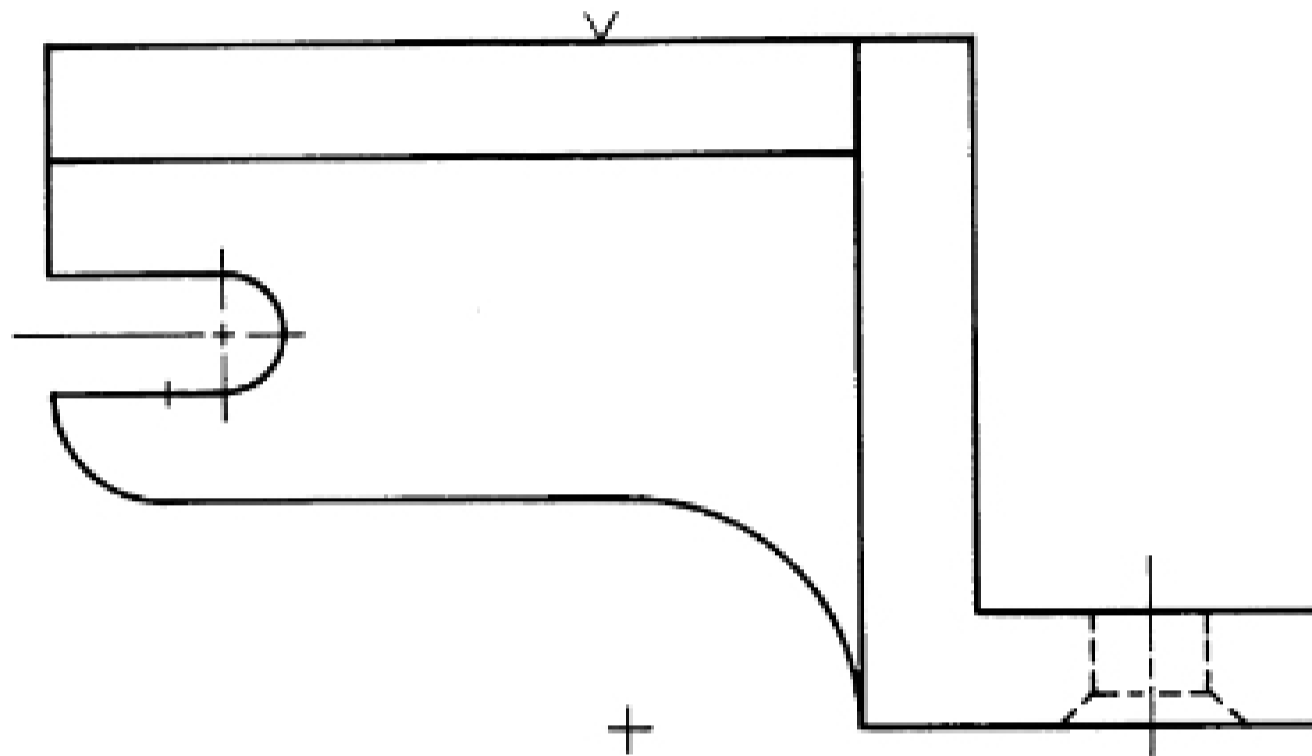
Sketching Assignment: (staple all sheets together in the order assigned before submitting)

Handout: #47: Dimension neatly using **metric dimensions** in mm (to the nearest whole mm)
Use notes for fillets and rounds when possible
Add a note indicating a general tolerance of ± 0.5 mm
Use appropriate symbols for the countersunk hole.
Include a dimension for the angle.
Use a metric scale (or the attached printed scale).

Handout: #48: Dimension neatly using **decimal-inch dimensions** (accurate to the nearest hundredth of an inch)
Use notes for fillets and rounds when possible
Add a note indicating a general tolerance of ± 0.005
Indicate that the small holes in Figure 1 are drilled.
Use appropriate symbols for the counterbored hole in Figure 1.
Indicate a tolerance for the hole in Figure 2 of ± 0.002
Use a decimal-inch scale (or the attached printed scale).

DIMENSION THIS DRAWING USING METRIC MEASUREMENTS. SCALE THE DRAWING TO OBTAIN MEASUREMENTS. ROUND OFF TO THE NEAREST MILLIMETER.

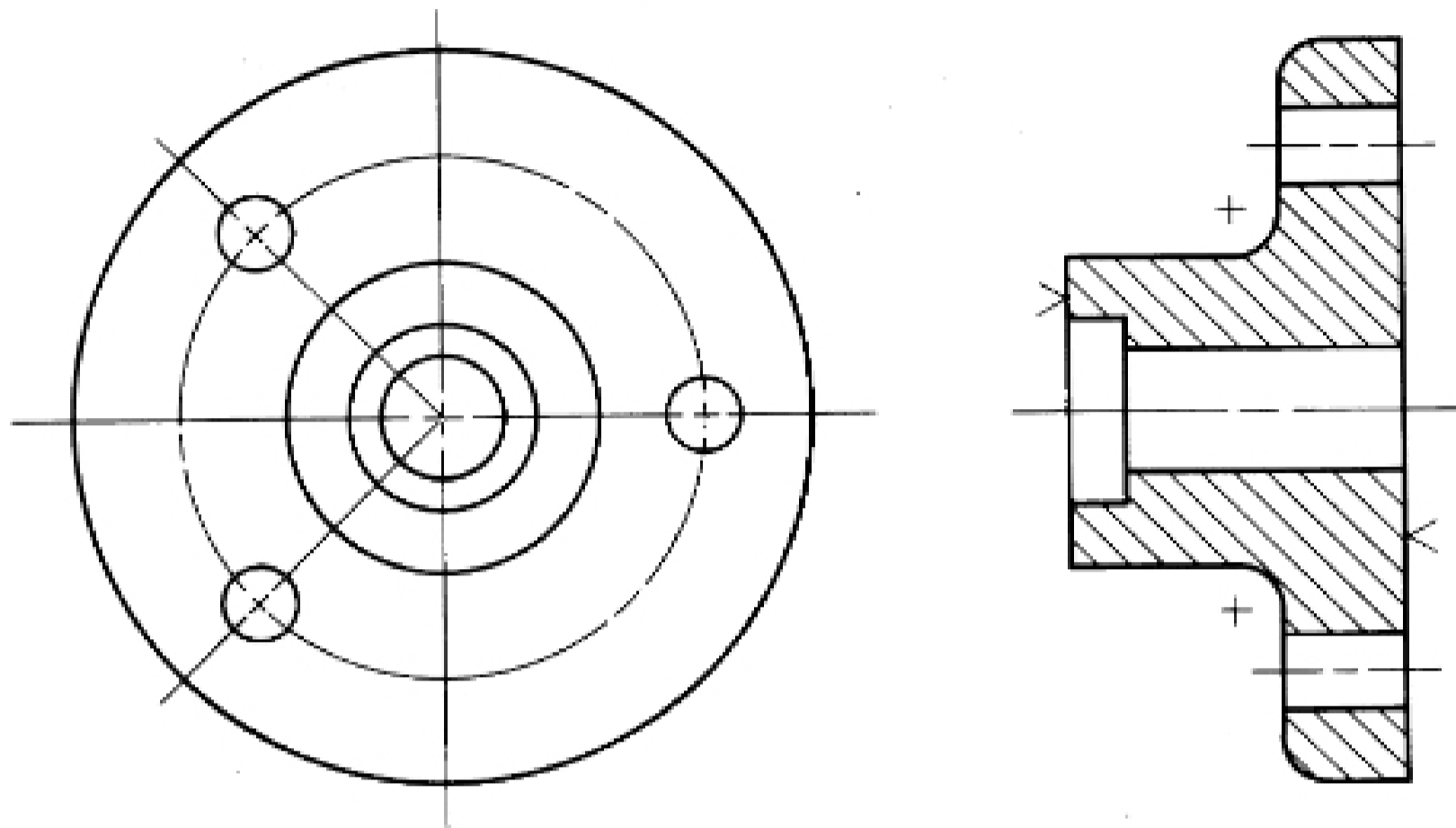
DRAWING SCALE: 1:1



DIMENSIONING	NAME	DATE	GRADE	47
	SECTION			

Graphic Science, Hugh Rogers

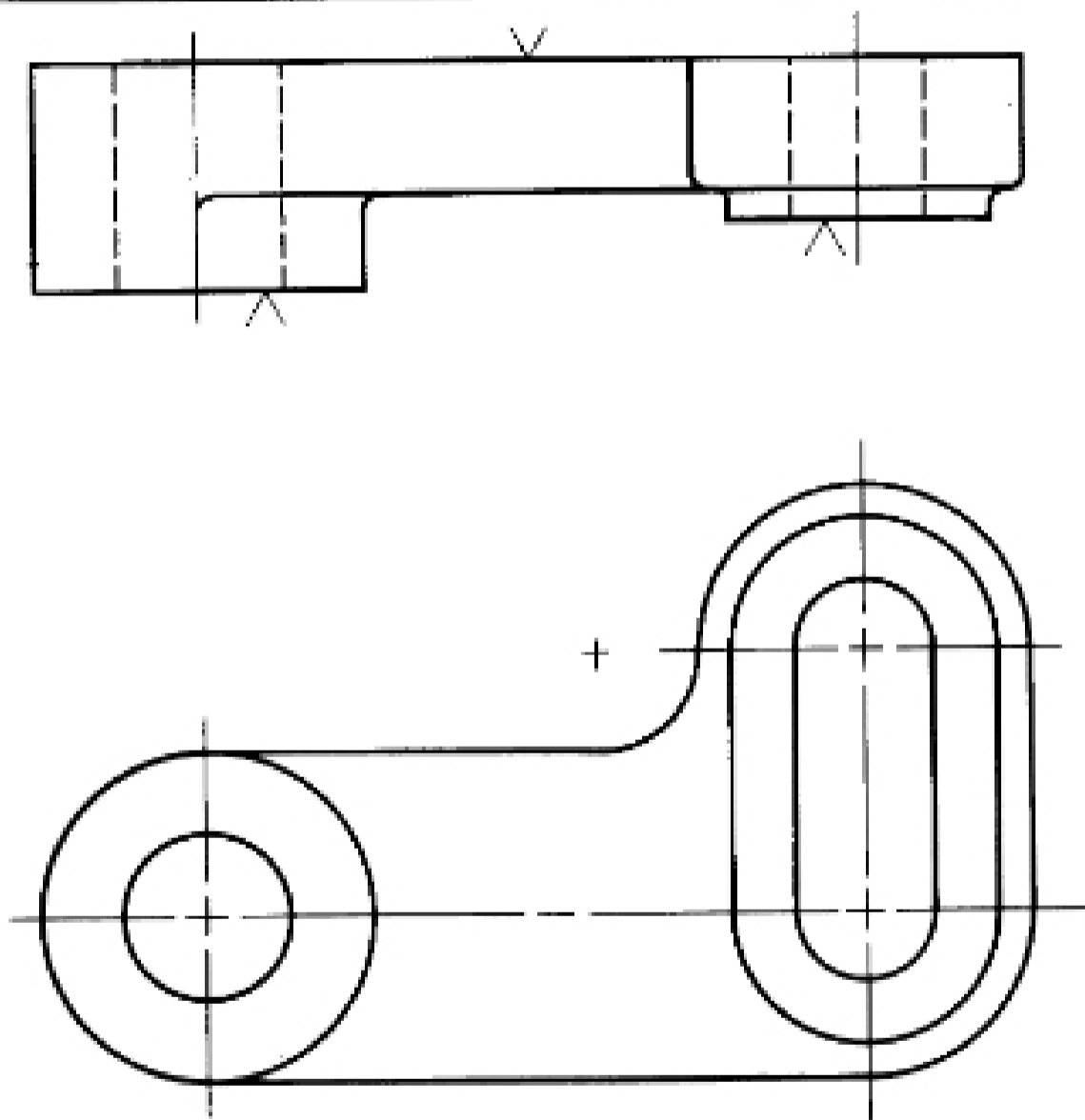
①



FLANGE
 CI
 FULL SIZE

Add dimensions mechanically.

②



SUPPORT BASE
 CI
 FULL SIZE

Add dimensions mechanically.

DIMENSIONING	COURSE	SECT.	DRAWN BY	DATE	NO.
					48