

## **EGR 270**

# **Fundamentals of Computer Engineering**

Presentation for Lab #8

## **Introduction to the MicroStamp11 and 68HC11 Assembly Language Programming**

**Instructor: Paul Gordy**

**Office: H-115**

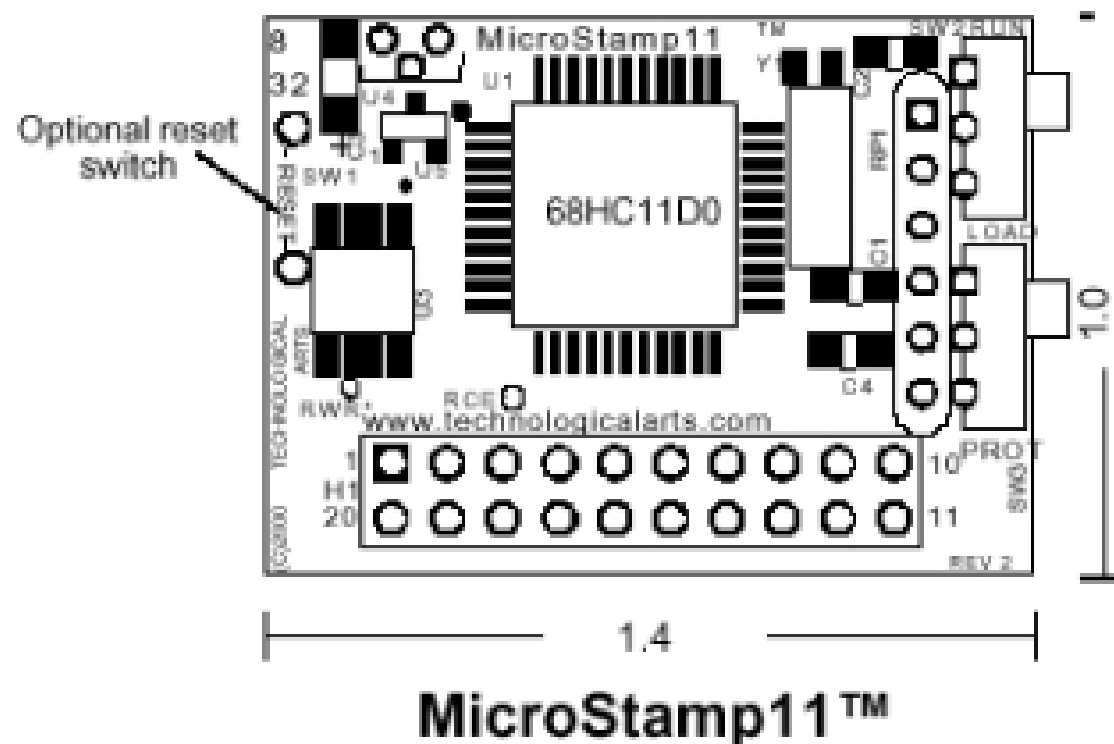
**Phone: 822-7175**

**Email: PGordy@tcc.edu**

## MicroStamp11

The MicroStamp11 is a microcontroller or microprocessor. It is built by Technological Arts and is based on the Motorola 68HC11 microcontroller.

Technological Arts states that the MicroStamp11 is the world's smallest microcontroller module.



The MicroStamp11 is about the size of a postage stamp!

## MicroStamp11 Breadboard Setup

The MicroStamp 11 is easily used on a breadboard with two modules:

- MicroStamp11 Module – fitted with a 20-pin connector that plugs into a breadboard
- USB-to-MCU Interface Module – allows for serial communication using a USB port on a computer. The USB connection can also be used to provide power (5V) to the breadboard. A few wires are required as shown below.



**MicroStamp11 Module**



**USB-to-MCU Interface Module**