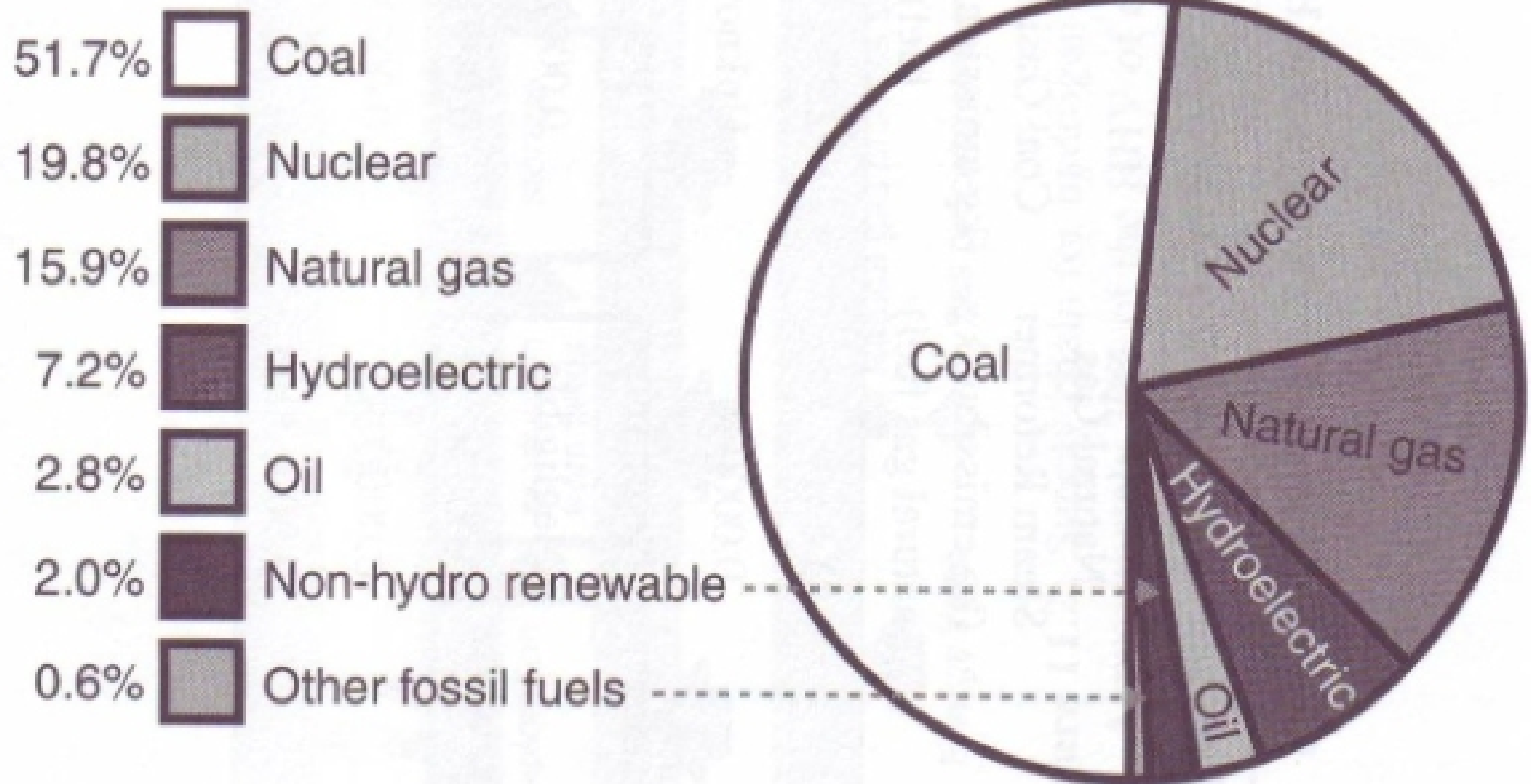


More Electric Platform

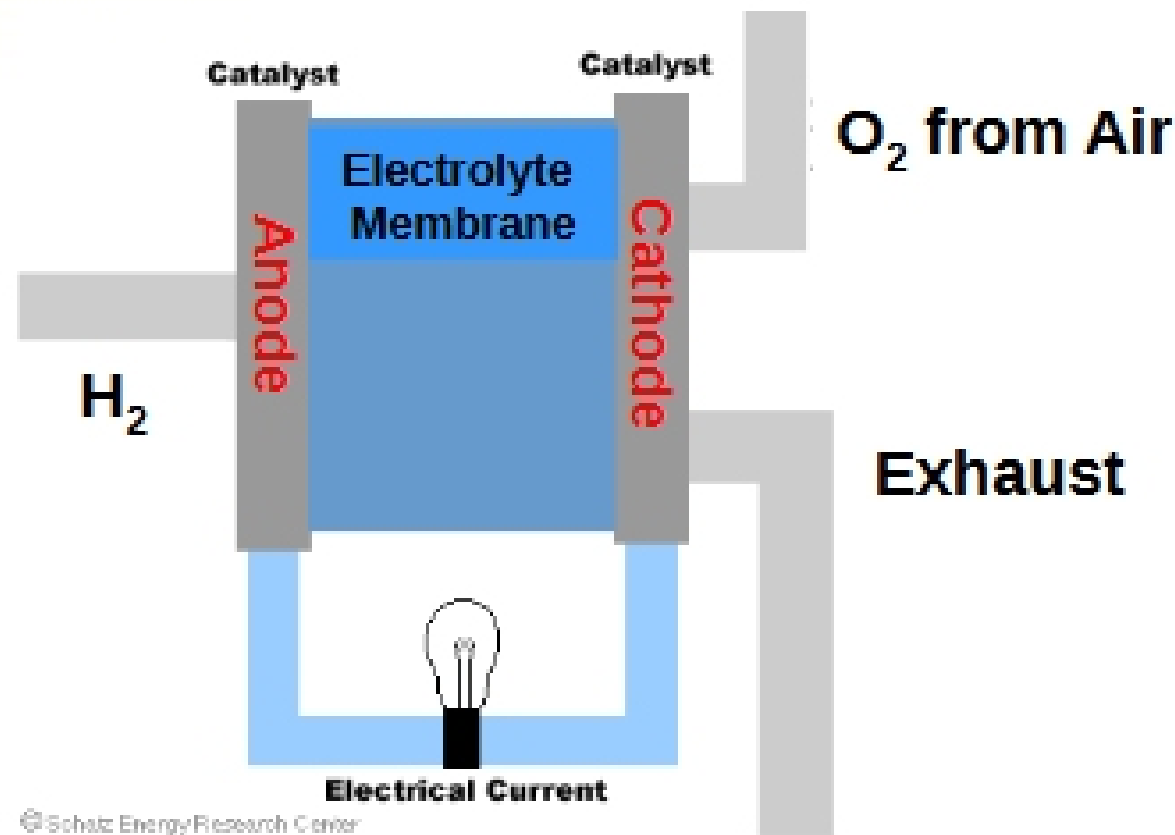


U.S. Electrical Power Plants

Distribution of U.S. power plants by fuel type based on annual production



Hydrogen Fuel Cells



- Electrochemical cell converts chemical energy of fuels into electrical energy
- In principle, same as a battery
 - But chemical energy is continually replenished