

Hydraulic Motors

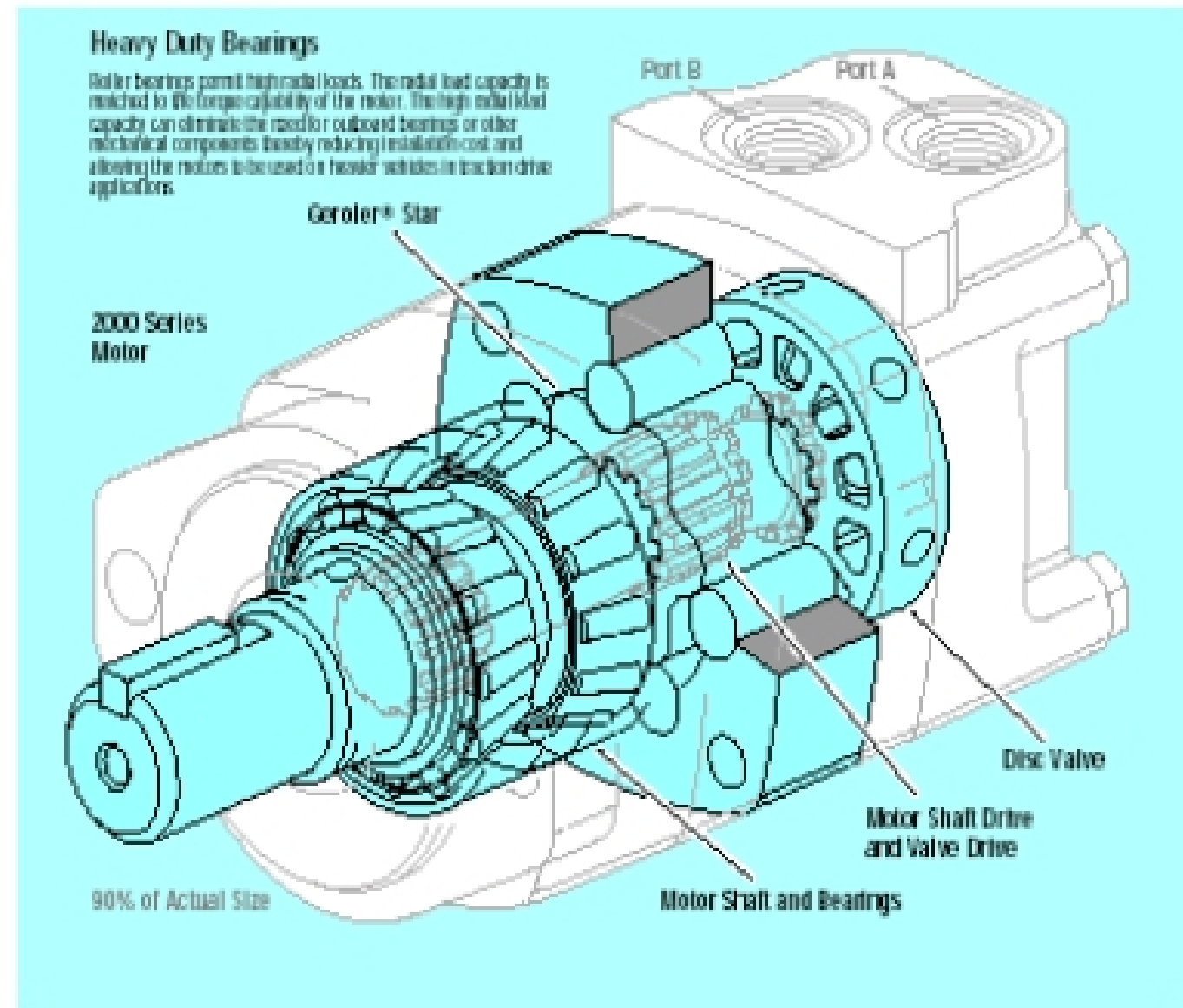
Brought to you by:

Demetri Preonas

Greg Unverferth

Overview of Lesson

- How they work
- Types of Motors
- Performance
- Applications



How a hydraulic motor works

Heavy Duty Hydrostatic Transmissions

EATON

Series 1 Model Codes



Models 33 through 76
Hydrostatic Transmissions

- High pressure fluid is used to turn a shaft.
- This is done in many different ways.
- Much like a cylinder the power comes from the pressure acting over a large area and creating a large force.