

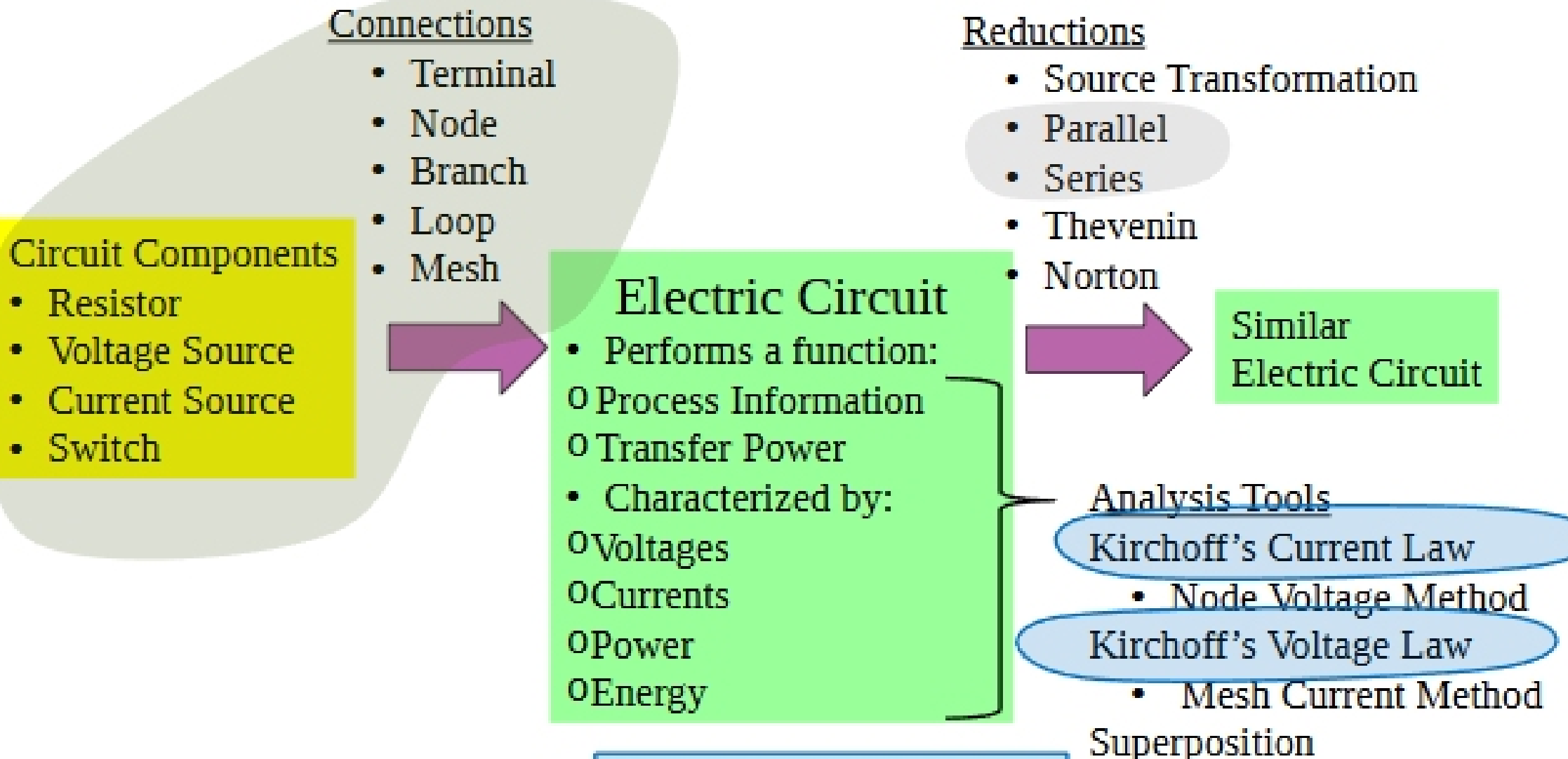
ECE 2070 – Lecture 2

KCL and KVL



Department of Electrical and Computer
Engineering
Clemson University

Overview of DC Electric Circuits



DC Lecture 2 – KCL and KVL

Why Do We Perform Circuit Analysis?

- We “analyze a circuit” or “solve a circuit” in order to identify the currents, voltages, and power consumption in the circuit.
- Circuits are analyzed by application of the three laws:
 - Ohm’s law
 - Kirchoff’s current law
 - Kirchoff’s voltage law