

ISDN

Raj Jain

Professor of CIS
The Ohio State University
Columbus, OH 43210

jain@acm.org

These slides are available at

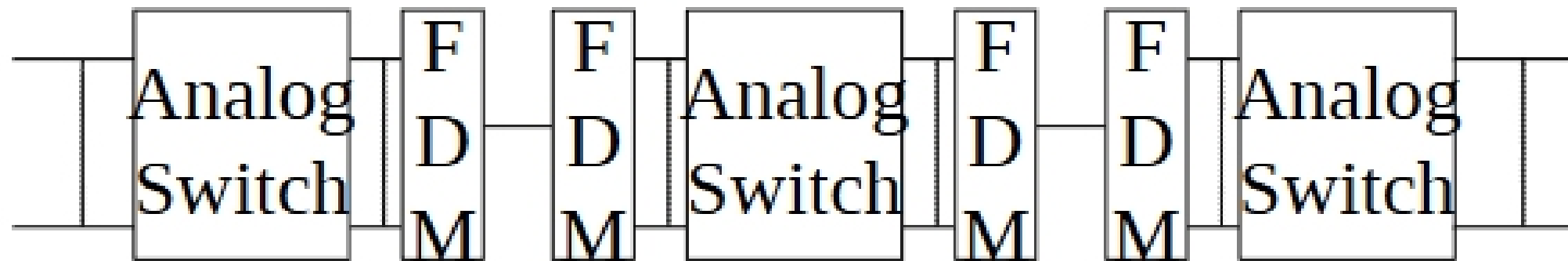
<http://www.cse.ohio-state.edu/~jain/cis777-00/>



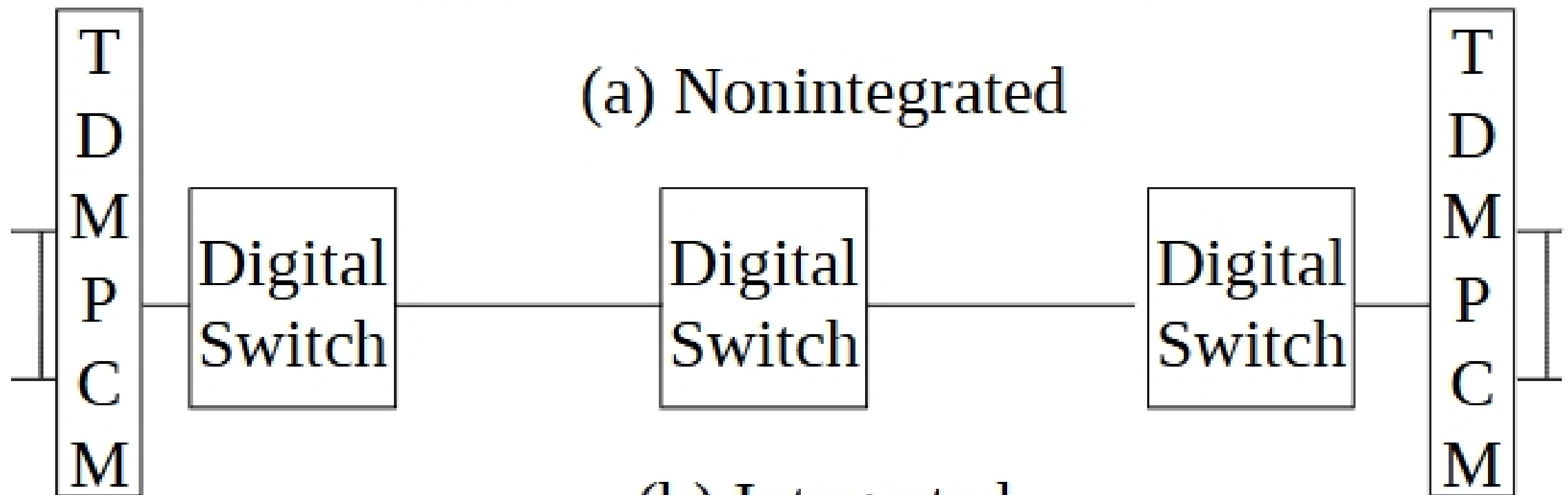
- ❑ History
- ❑ Interfaces and protocol layers
- ❑ Reference points
- ❑ Addressing

Integrated Digital Networks

- Integrated \Rightarrow Both transmission and Switching
- Access was still analog



(a) Nonintegrated



(b) Integrated