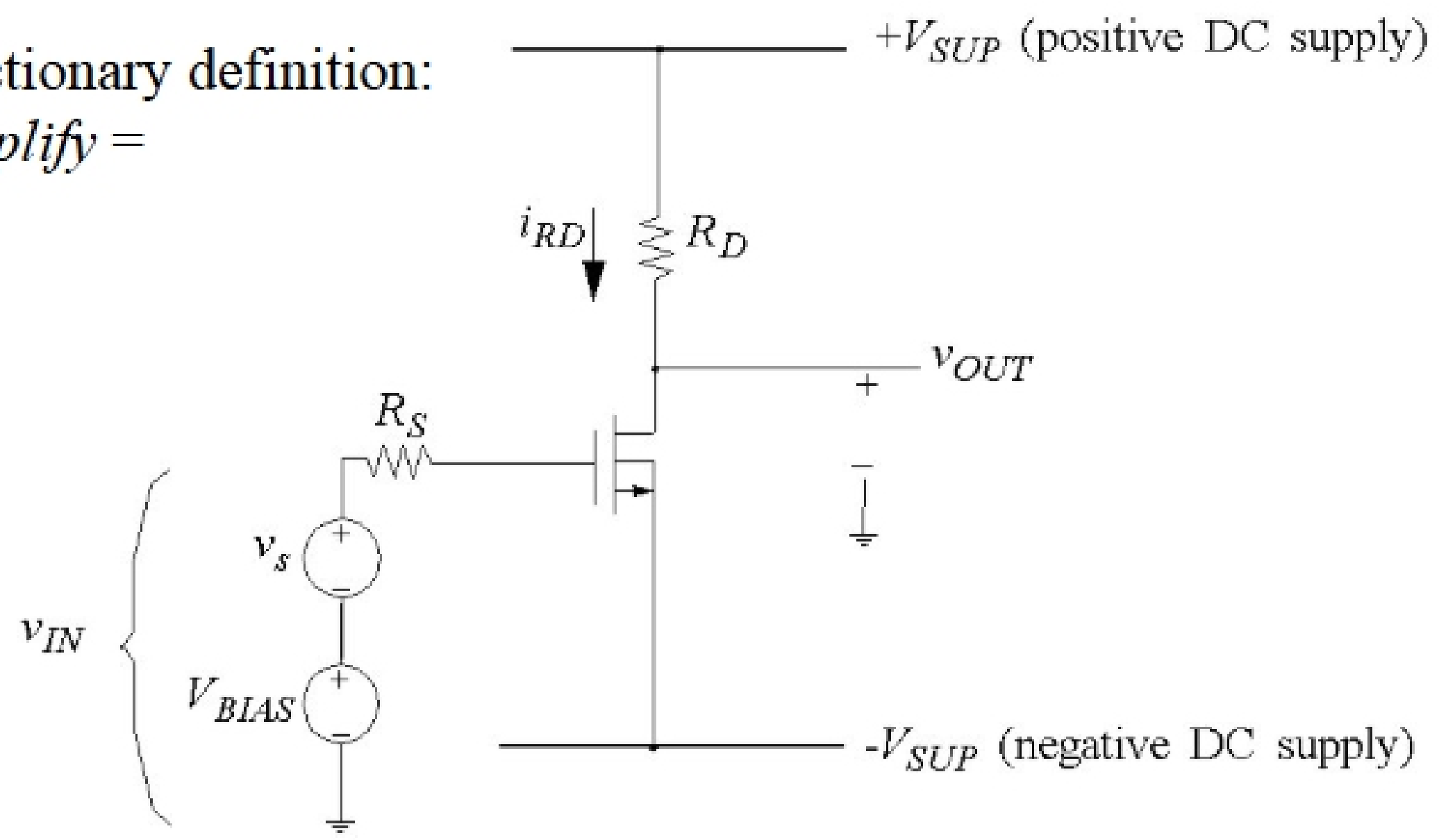


# Lecture 10

- Last time:
  - MOS Sample and Hold Circuit: linear and non-linear analysis
- Today :
  - Introduction to amplifiers:  
a common-source MOS stage

# An MOS Amplifier

Dictionary definition:  
*amplify* =



# Sweep Input Voltage $v_{IN}$

