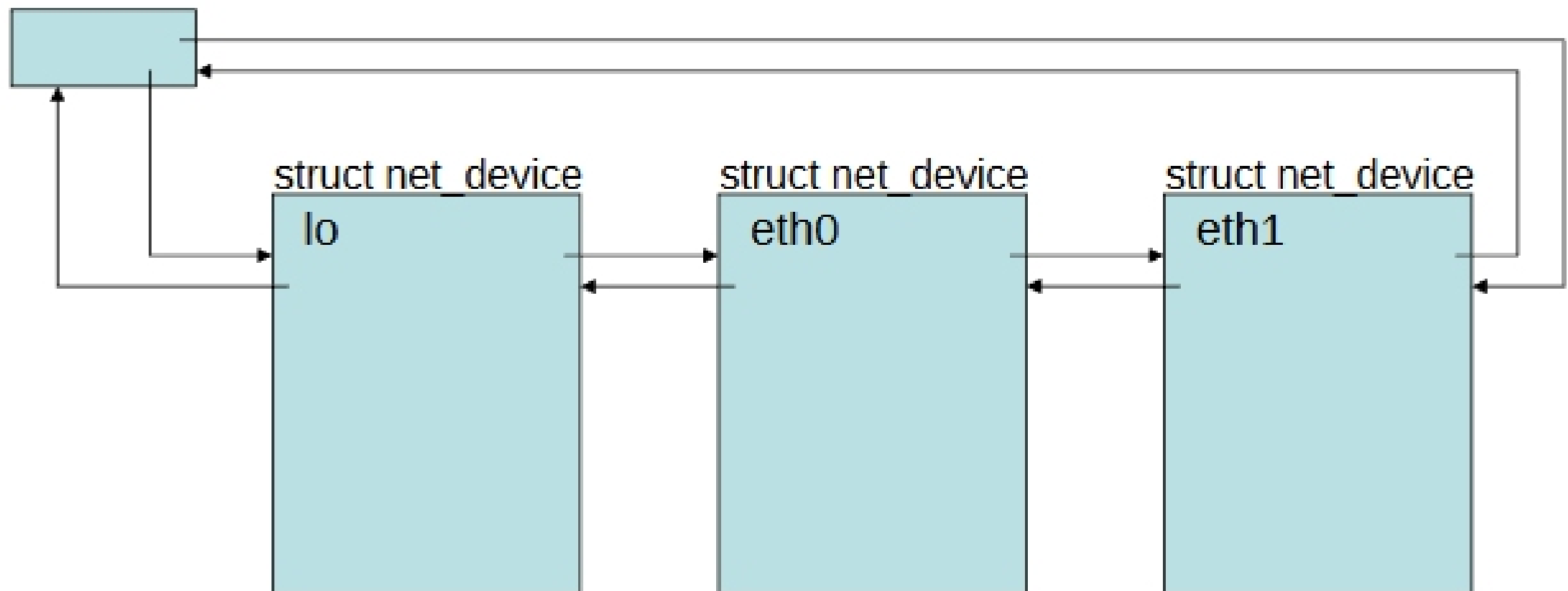


Looking at kernel objects

How a character-mode Linux device driver can be useful in viewing a 'net_device' structure

Our '/proc/netdevs' pseudo-file

- We wrote a Loadable Kernel Module that creates a pseudo-file allowing users to see some information about the kernel's data



The LKM's source-code

