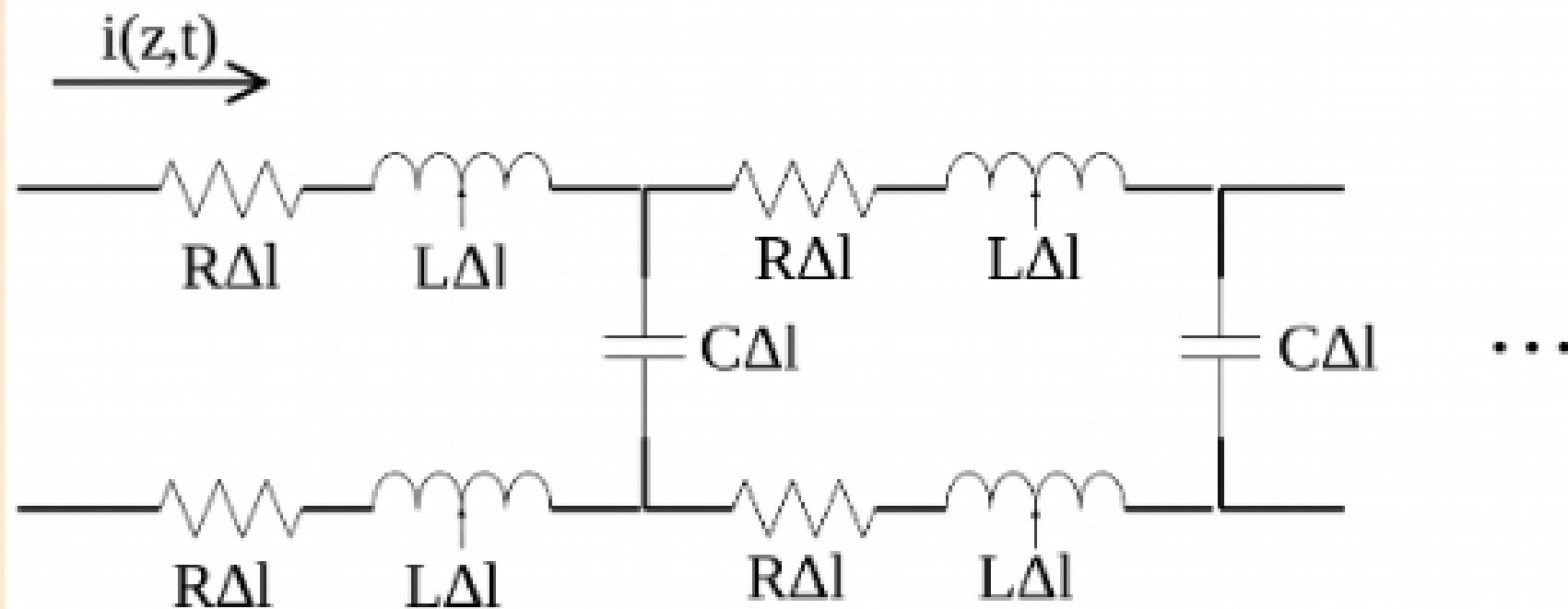


I. Transmission Line Model



- Voltage drops through serial resistance and inductance
- Current reduces through shunt capacitance
- Resistance increases due to skin effect
- Shunt conductance is caused by loss tangent