

Digilent Pmod Switch Module Board Reference Manual

Revision: 04/12/05



www.digilentinc.com

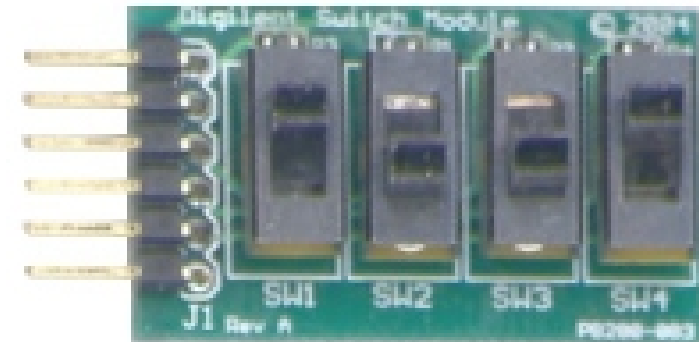
248 East Main | Pullman, WA 99163
(509) 334 6306 Voice and Fax

Overview

The Digilent Pmod Switch Module Board (the switch module) has four slide switches that can be used to provide “on and off” inputs to a circuit.

Features include:

- four slide switches with series resistors
- one 6-pin header
- small form factor (1.30" x 0.80").



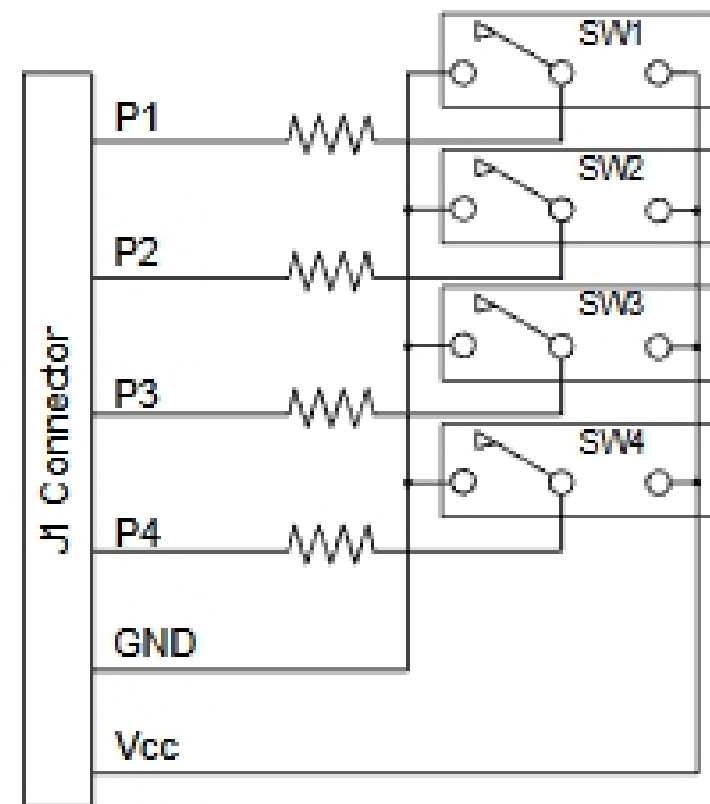
Functional Description

The module’s switches can be used as mode switches and also as data input switches. They can be activated separately or together in any combination.

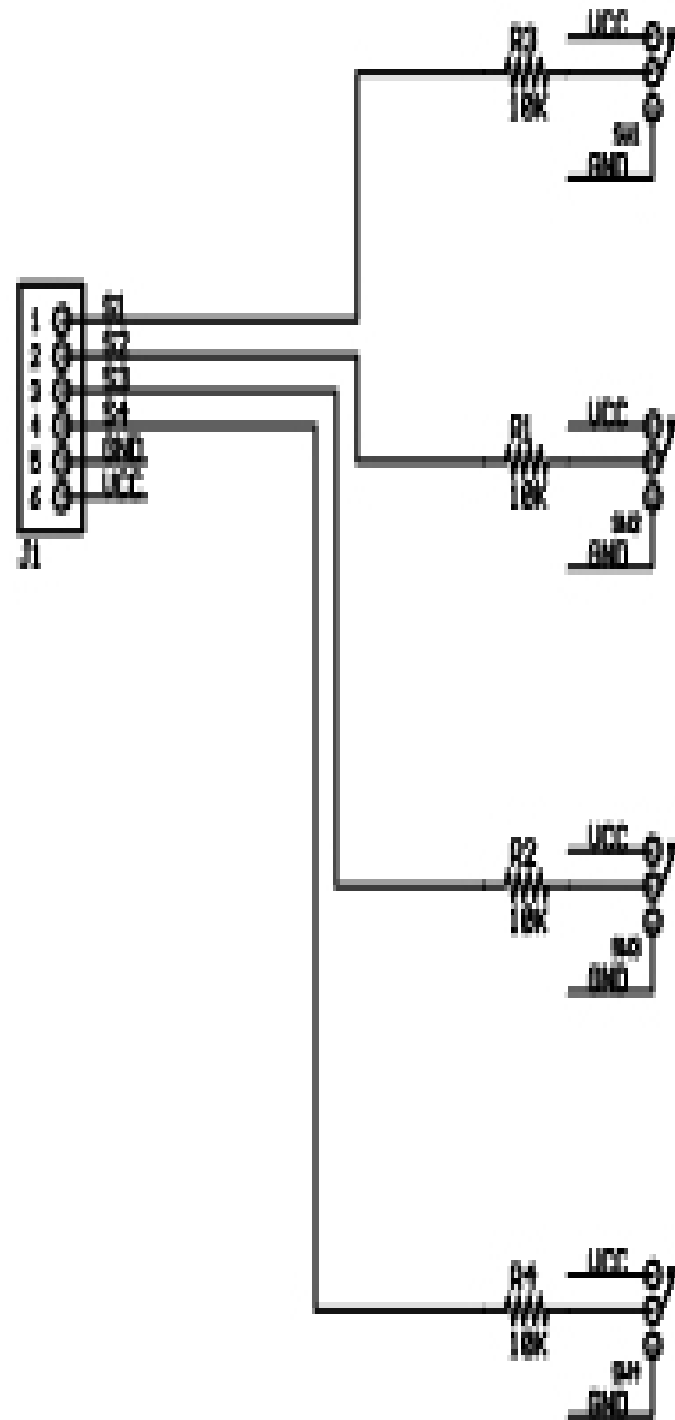
When the switch is in the up position it sends the voltage on the VCC pin to the corresponding pin on J1, and when the switch is in the down position it sends GND to the corresponding pin on J1.

The switch module has a 6-pin header for easy connection to a Digilent system board. Some system boards, like the Digilent Pegasus board, have a 6-pin header that can connect to the switch module with a 6-pin cable.

To connect the switch module to other Digilent system boards, a Digilent Modular Interface Board (MIB) and a 6-pin cable may be needed. The MIB plugs into the system board, and the cable connects the MIB to the switch module.



Switch Module Circuit Diagram



Digilent Switch Module	
Copyright 2004	Engineer: NEA
TITLE: HoodSWT	Author: GWA
Document Number: 500-003	Rev: A.1
Release Date: 3/29/05	Sheet: 1/1