

# ISDN

Raj Jain

Professor of CIS

The Ohio State University

Columbus, OH 43210

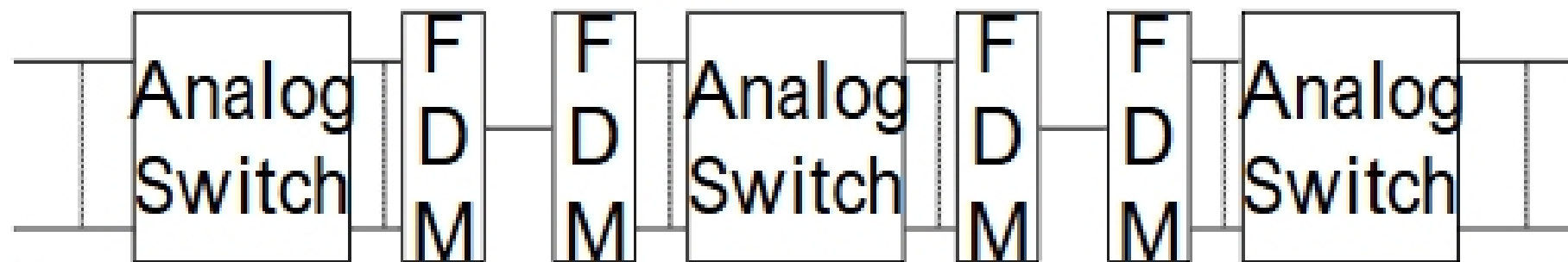
<http://www.cis.ohio-state.edu/~jain/>



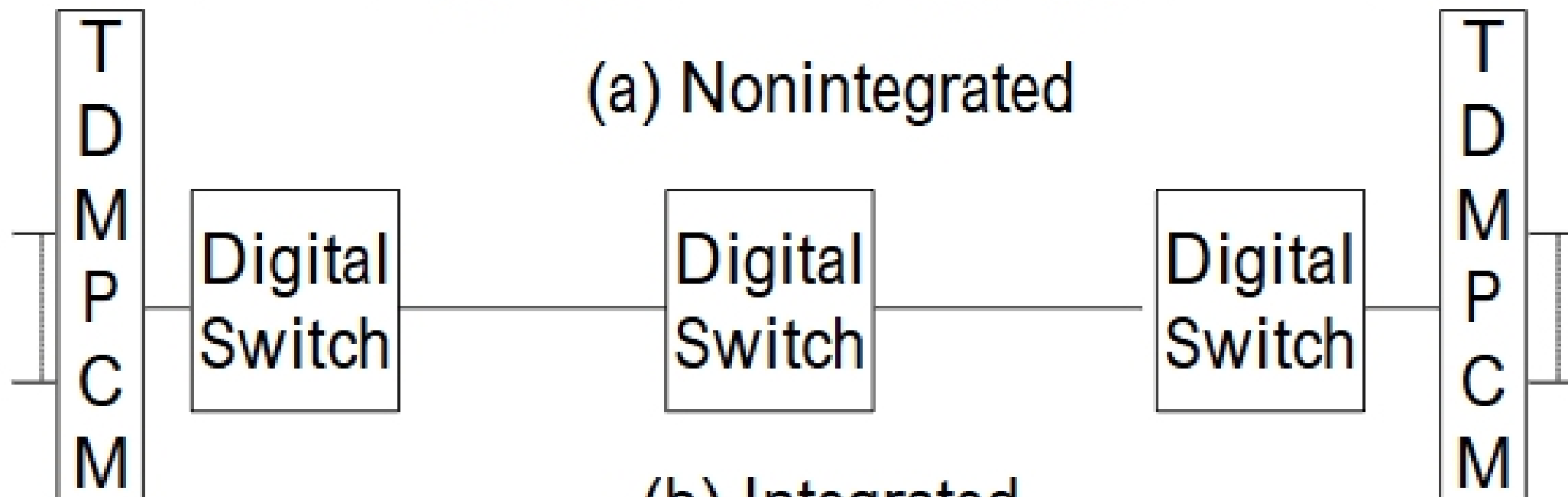
- ❑ History
- ❑ Interfaces and protocol layers
- ❑ Reference points
- ❑ Addressing

# Integrated Digital Networks

- Integrated  $\Rightarrow$  Both transmission and Switching
- Access was still analog



(a) Nonintegrated



(b) Integrated