

ECEN 248 -Introduction to Digital Systems Design (Spring 2008)

(Sections: 501, 502, 503, 507)

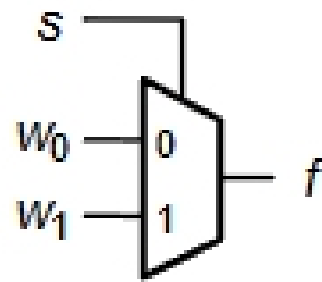
Prof. Xi Zhang

ECE Dept, TAMU, 333N WERC

<http://www.ece.tamu.edu/~xizhang/ECEN248>

Chapter 6.1 Multiplexers

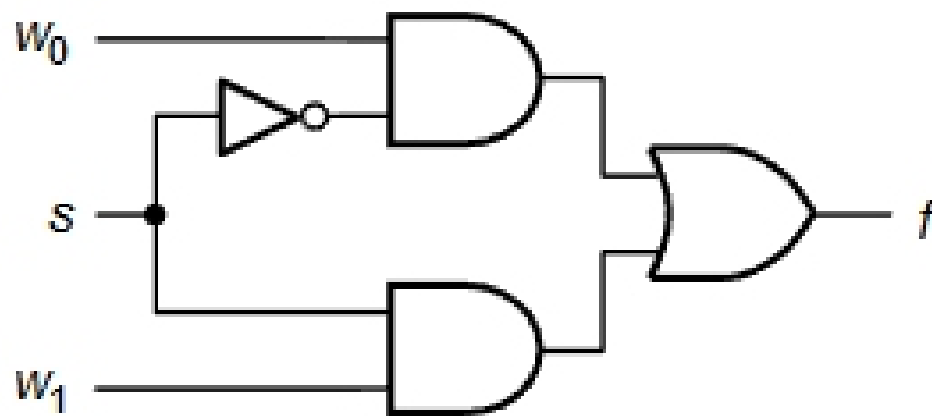
2-to-1 multiplexer



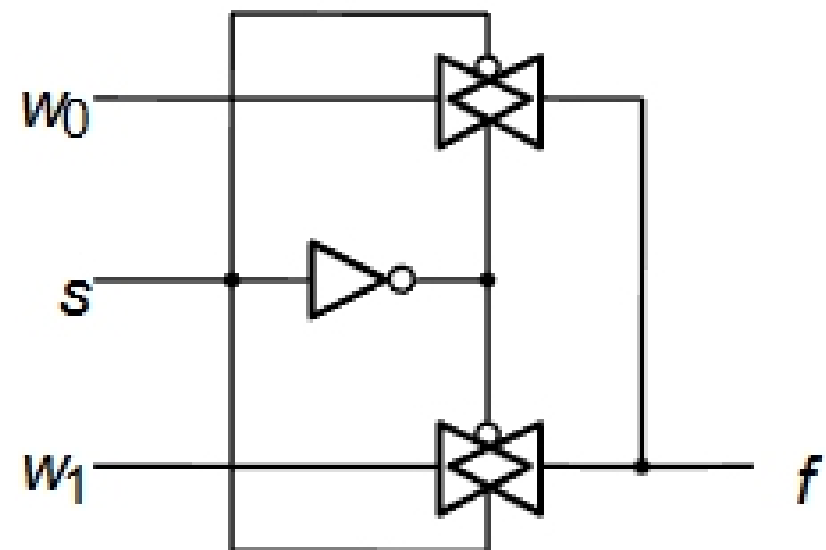
(a) Graphical symbol

s	f
0	W_0
1	W_1

(b) Truth table



(c) Sum-of-products circuit



(d) Circuit with transmission gates

Figure 6.1. A 2-to-1 multiplexer.