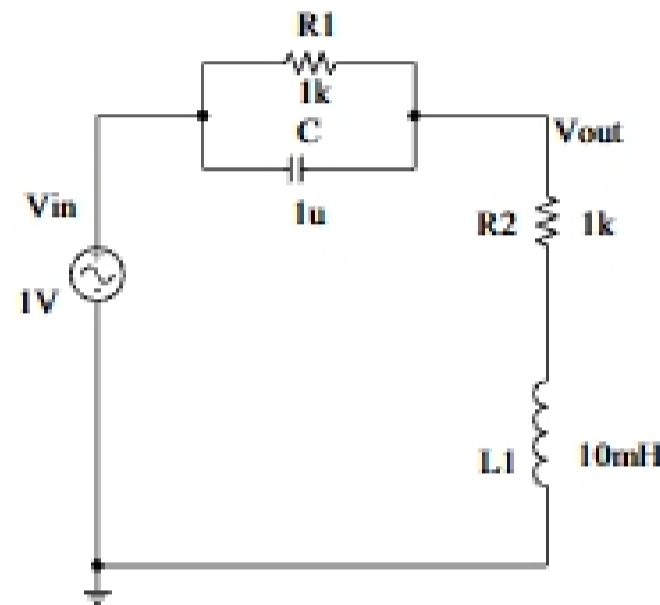


Solution to HW 01 on SPICE in EE 221 homework (due on March 14, 2003).

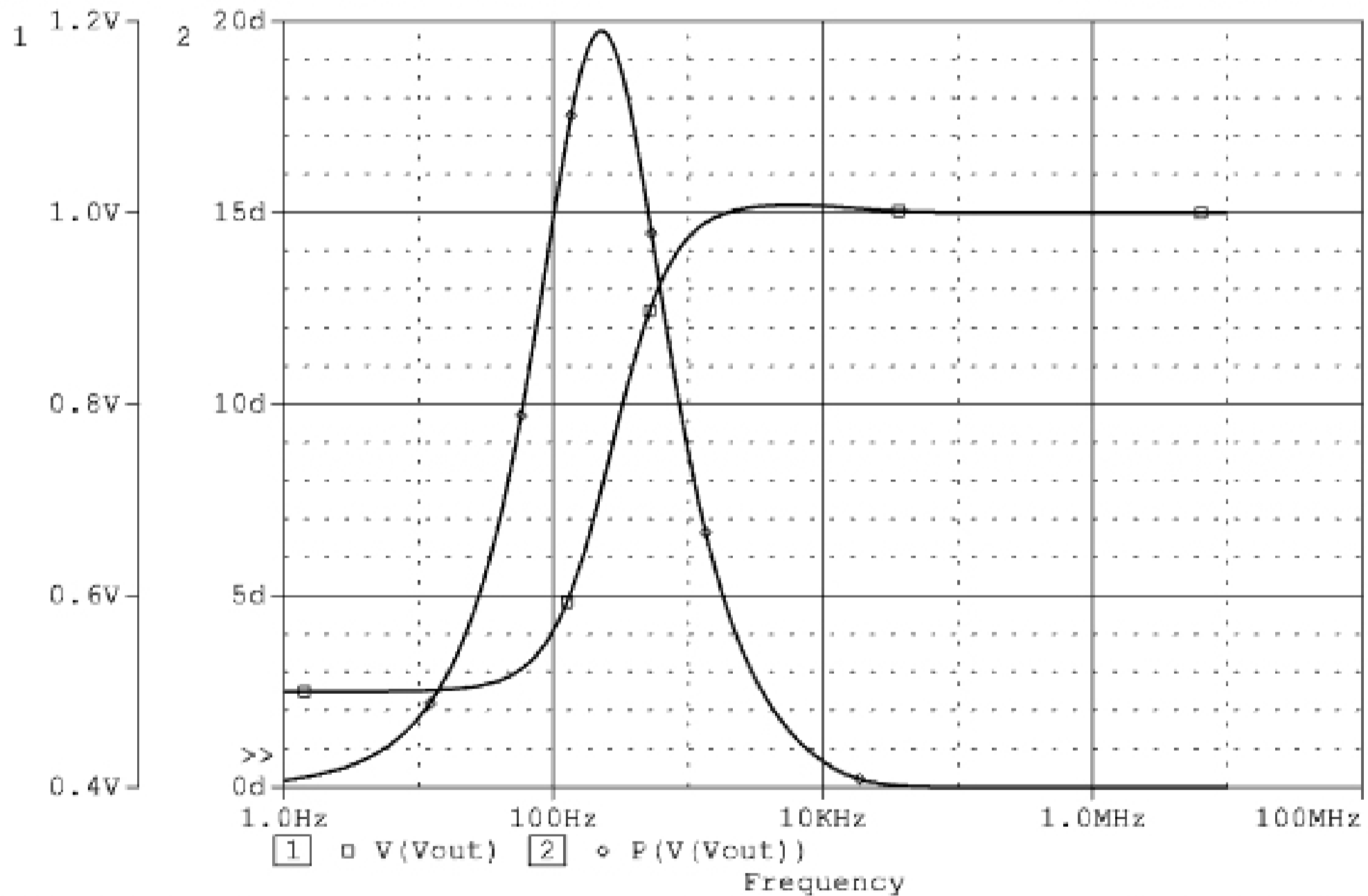
Ramprasad Potluri*

March 24, 2003

Problem 11.3



* C:\EE221\PotluriSpring2003\DrSinghNotes\HWs\P11_3.sch
Date/Time run: 03/24/03 01:30:04 Temperature: 27.0



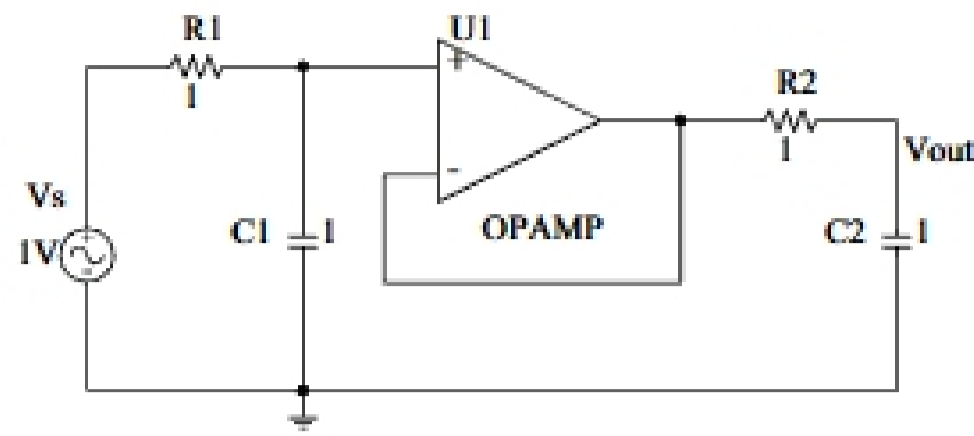
Date: March 24, 2003

Page 1

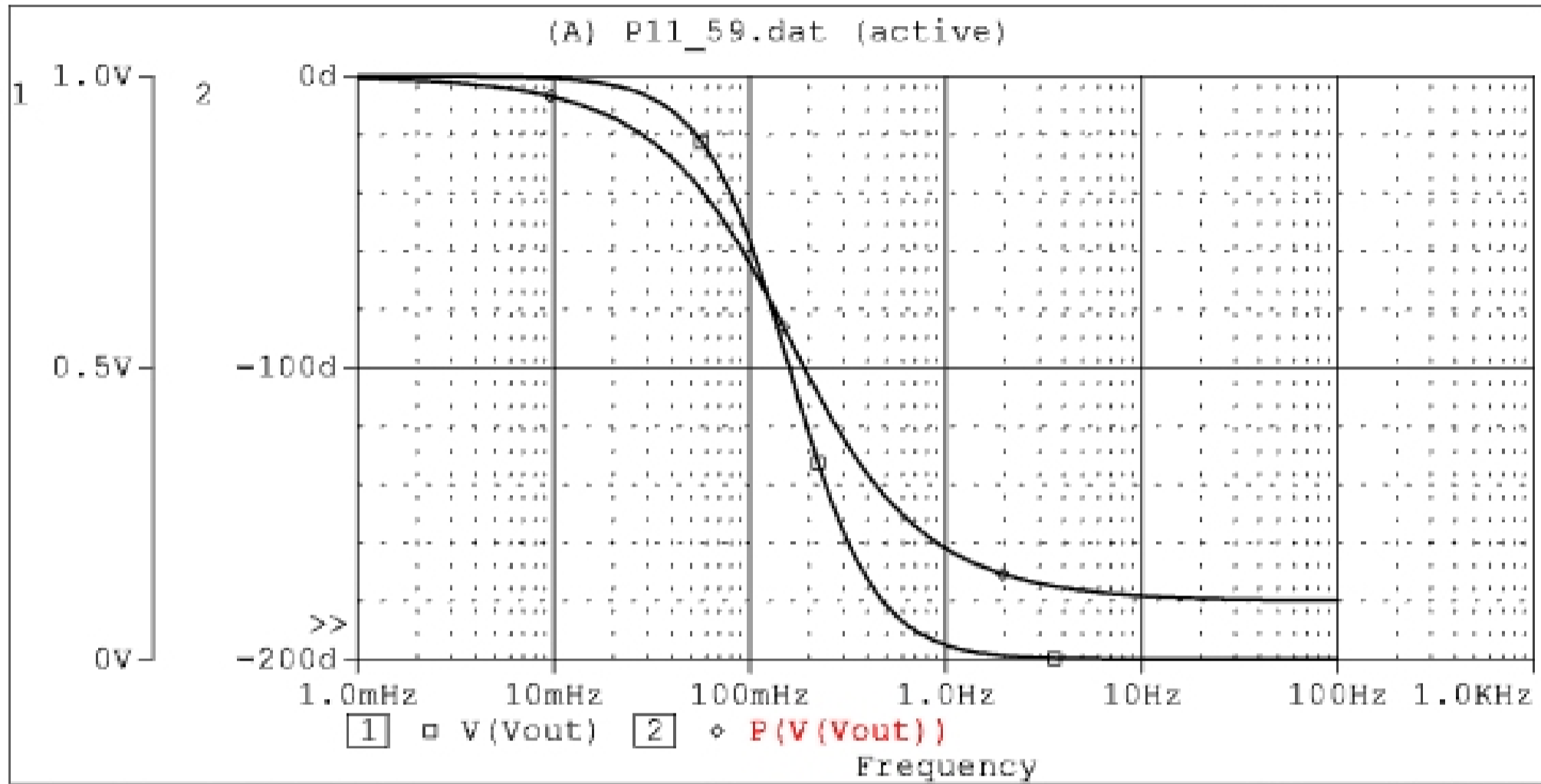
Time: 01:35:16

*Department of Electrical & Computer Engineering, University of Kentucky, Lexington, KY, USA.
Typeset in \LaTeX . For all problems/figures, please see: *Basic engineering circuit analysis*, J. David Irwin,
7-th ed., John Wiley & Sons, Inc., 2002

Problem 11.59



* C:\EE221\PotluriSpring2003\DrSinghNotes\Hws\P11_59.sch
 Date/Time run: 03/24/03 01:51:20 Temperature: 27.0



Date: March 24, 2003

Page 1

Time: 01:54:29