

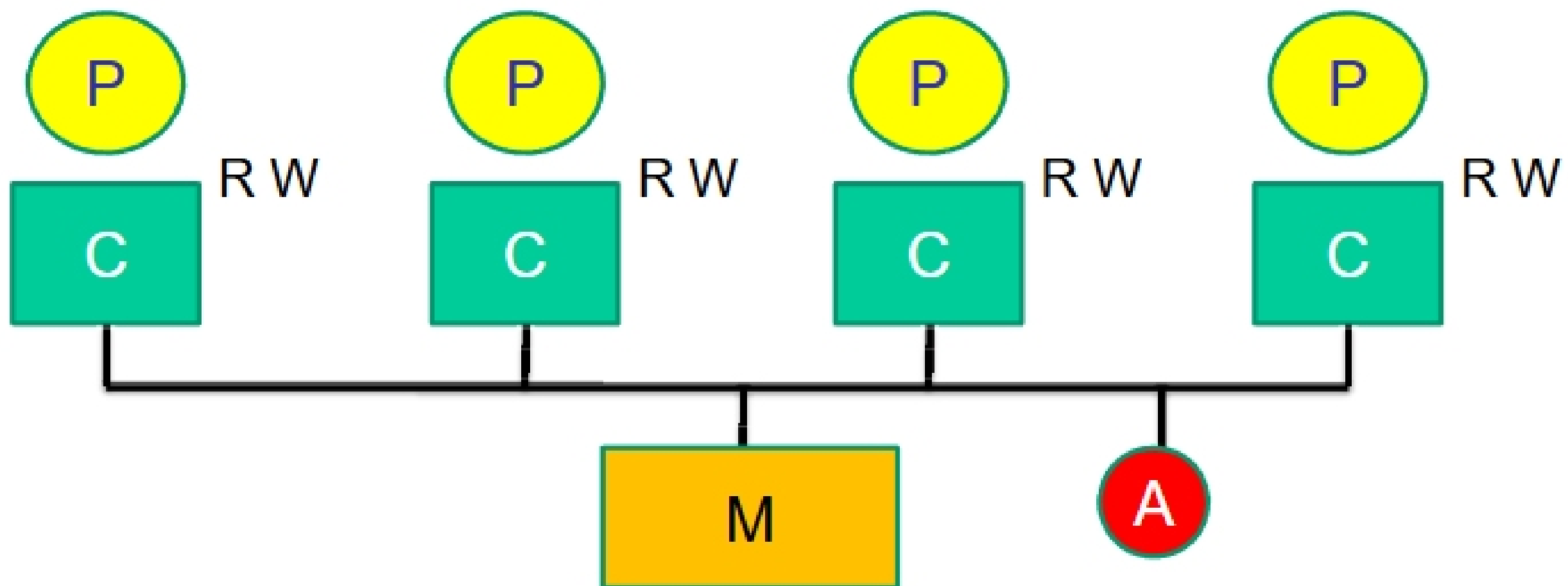
Lecture 7: Lazy & Eager Transactional Memory

- Topics: details of “lazy” TM, scalable lazy TM, implementation details of eager TM

Lazy Overview

Topics:

- Commit order
- Overheads
- Wback, WAR, WAW, RAW
- Overflow
- Parallel Commit
- Hiding Delay
- I/O
- Deadlock, Livelock, Starvation



“Lazy” Implementation (Partially Based on TCC)

- An implementation for a small-scale multiprocessor with a snooping-based protocol
- Lazy versioning and lazy conflict detection
- Does not allow transactions to commit in parallel