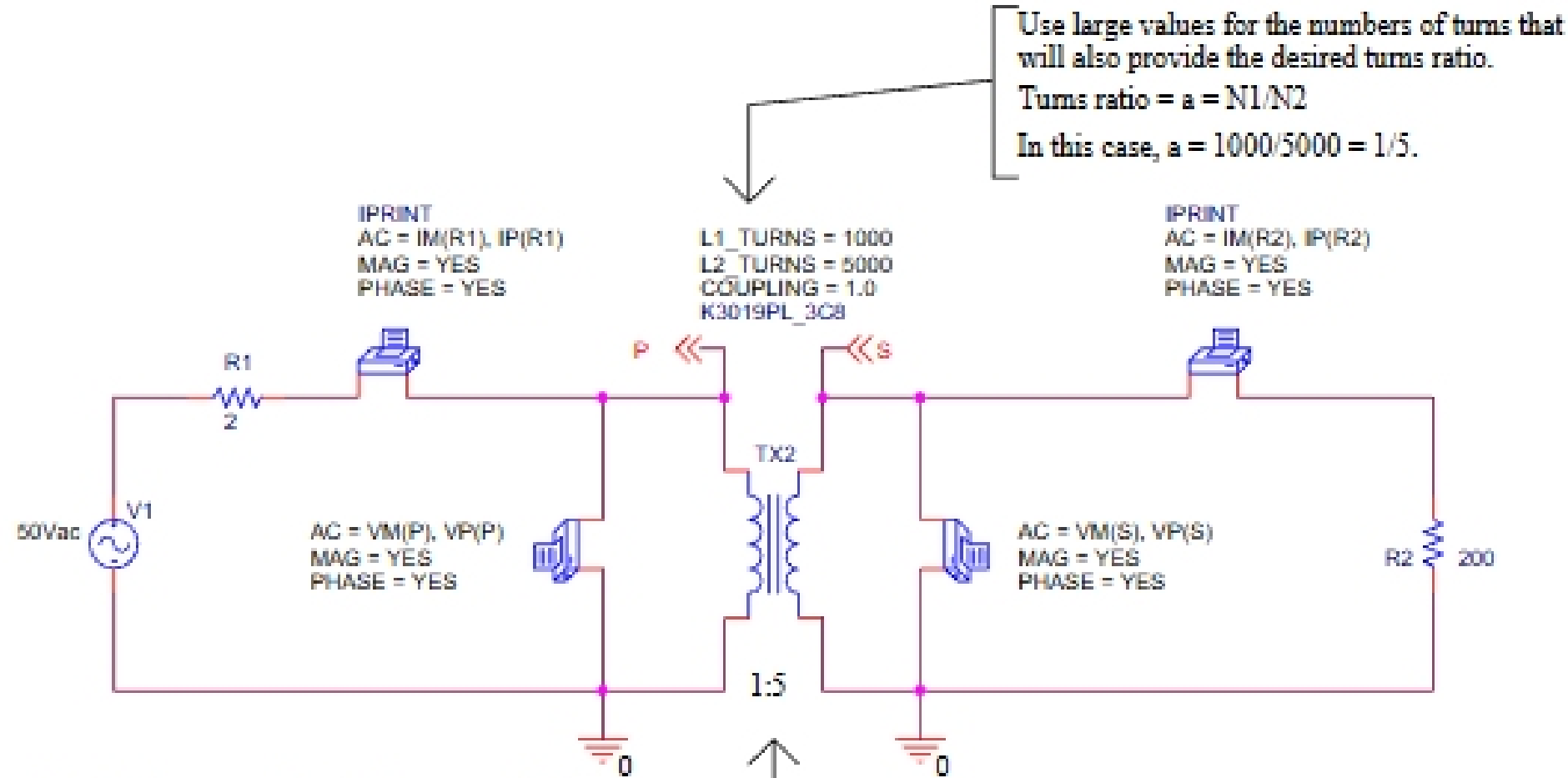


# Non-Ideal Transformer

**Purpose:** Determine the voltage and current for the primary and secondary of a transformer circuit using an ideal transformer.

**Analysis:** The source voltage is  $50\cos(1000t)$ , so us an AC Sweep with a single frequency of  $1000/(2\pi) = 159.15$  Hz



Note that two ground symbols are required.

Text was added to label the turns ratio.

The non-ideal transformer (part K3019PL\_3CB) is available in the EVAL library.

To change the orientation of a symbol, right-click on the symbol and then select ROTATE(or use ctrl-R), MIRROR HORIZONTALLY, or MIRROR VERTICALLY.

For convenience, OFFPAGE symbols were used to label the primary (P) and the secondary (S).

Edit attributes of parts as follows:

- 1) If the attribute appears next to the part, double click it and then change its value
- 2) If the attribute does not appear next to the part, double click on the part, find the desired attribute, right click on it and select DISPLAY. Then indicate what Display Format is desired. Once the attribute has been displayed, double-click on it and change the value.

Title		Title		Title	
<Title>		<Title>		<Title>	
Size	Document	Document Number	Rev	Rev	
A	<DocA>	<Doc>	<RevCode>	<RevCode>	
Date:	Wednesday, Wednesday, 20, 2000		Sheet of	1 1	of 1



