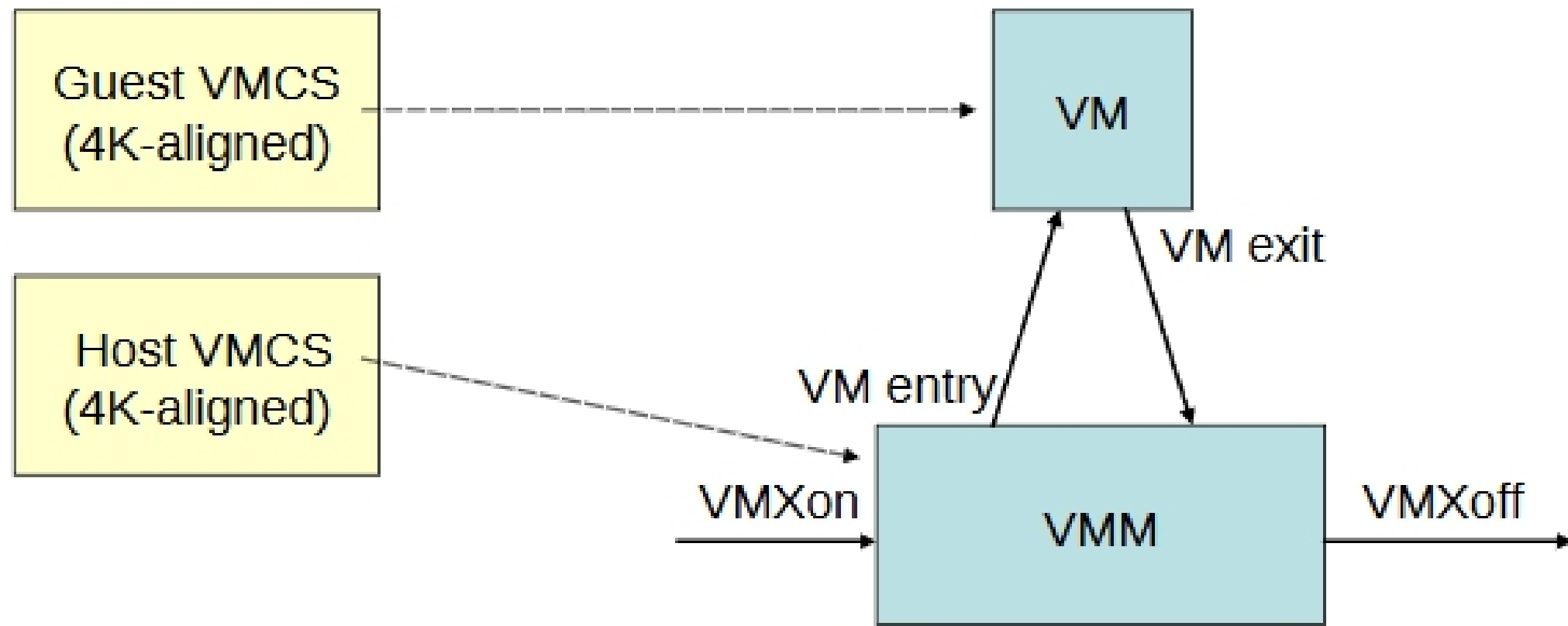


Setup for VM launch

Using 'vmxwrite' and 'vmxread' for access to state-information in a Virtual Machine Control Structure

VM and VMM

- A virtual machine, and its Virtual Machine Manager, each need a supporting VMCS



Access to VMCS

- Software must initialize the first longword with the CPU's VMX revision-identifier in advance of any use by VMX instructions
- Get 'revision-identifier' from MSR (0x480)
- Any further access to the VMCS is indirect (because layout varies among processors)
- The 'vmwrite' and 'vmread' instructions are used to access the VMCS fields indirectly