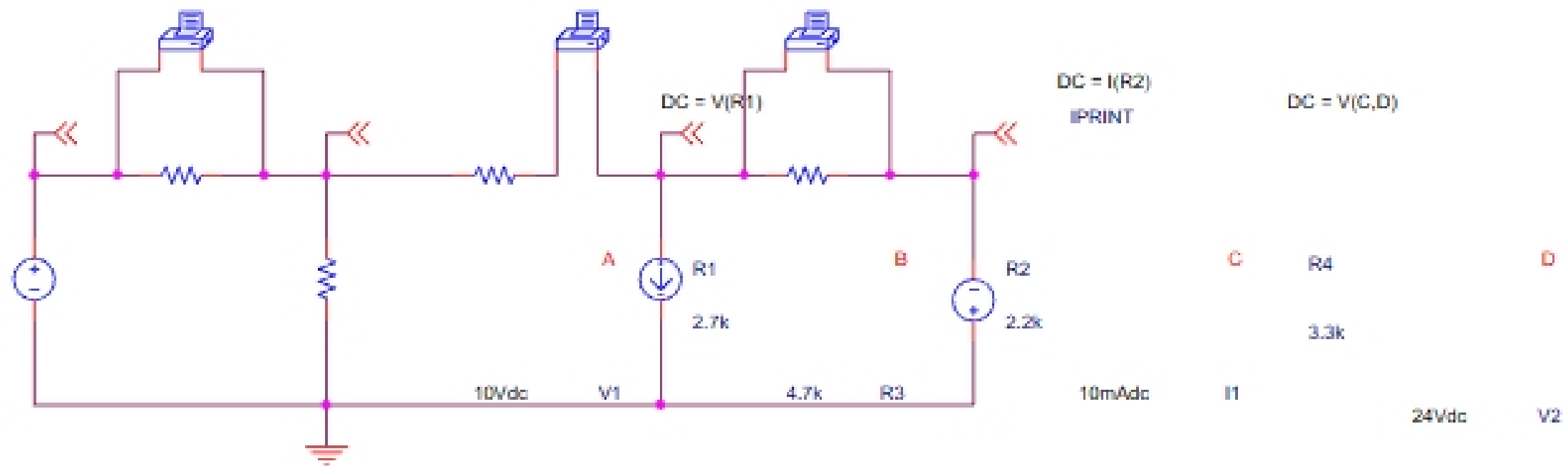


## DC Circuit - Using voltage and current printers

Purpose: Determine selected voltages and currents in the circuit shown below.

Analysis: Vary the voltage source V1 using a DC Sweep (from 10V to 10V).



Notes concerning voltage and current printers:

- 1) Use the part IPRINT for a current printer and VPRINT2 for a voltage printer from the SPECIAL library.
- 2) Voltage printers must be placed across (in parallel with) a circuit element and current printers must be placed in series with a circuit element in order to measure the circuit element's voltage or current.
- 3) Pay attention to the polarity of the printers. Current flows from + to -. If you need to switch the polarity of a printer, right-click on it and pick Mirror Horizontally or Mirror Vertically.
- 4) Printers do not work with a simple bias analysis. You must perform a DC SWEEP (or later an AC SWEEP) for the printers to function. If no source needs to be varied, pick any independent source and vary it with same starting and stopping value (thus it is not really varied).
- 5) It is also necessary to set the DC property on each printer. Double-click on the printer to edit its properties and then right-click on the DC property and change its Display Format to Name and Value. Return to the schematic and double-click the DC= property that should now appear next to the printer and set its value.
- 6) When setting the DC property, it is necessary to use a valid expression. Valid expressions should use component names or nodes. For example: V(R1), V(A), V(A,B), I(R2), etc. If V(R1) is used as in the example above, it will be changed to V(A,B) in the .OUT file. For this reason, it is helpful to label nodes using OFFPAGE symbols.

<Title>			
A	<Doc>	1	1
Monday, February 07 Title		1	1



